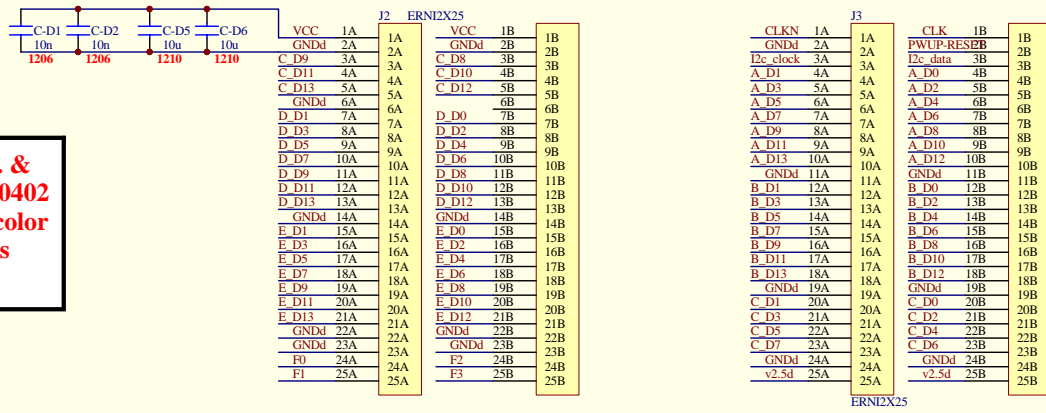
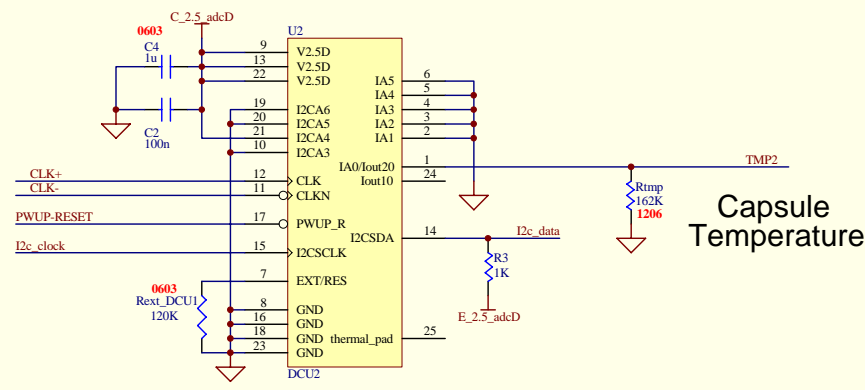
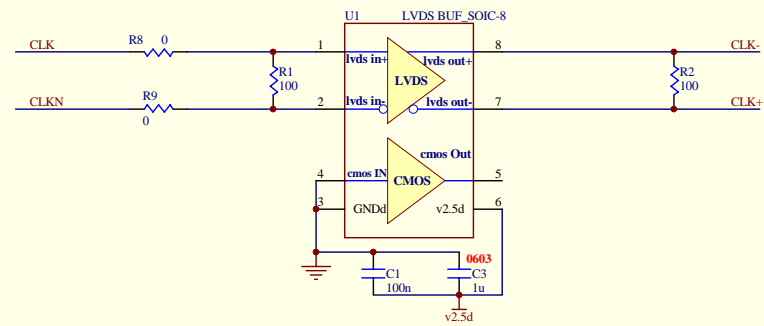
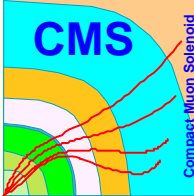


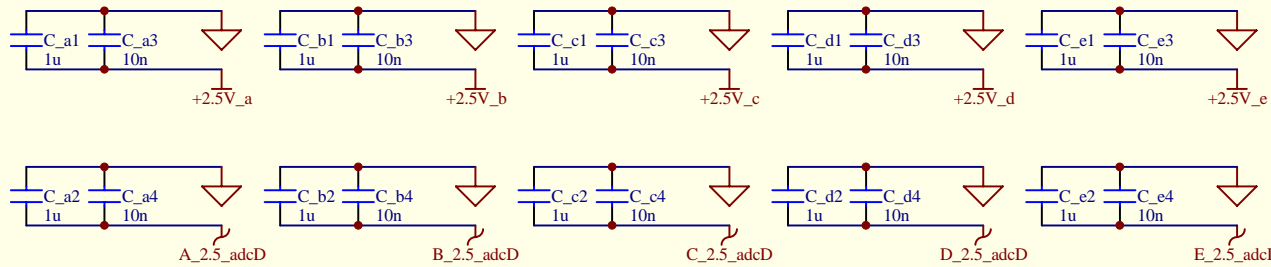
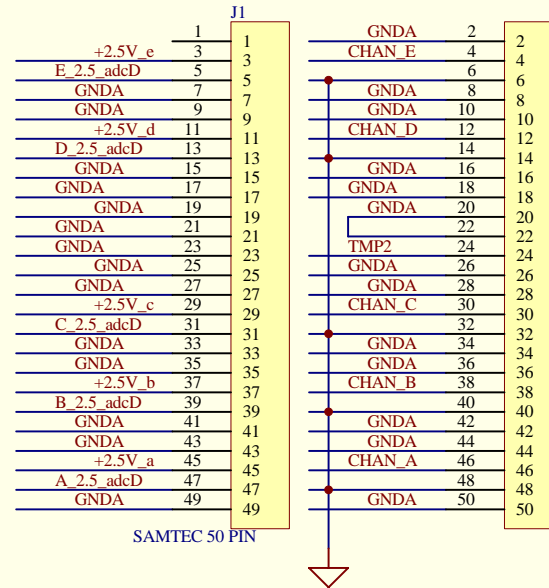
Footprints for Res. & Cap. different then 0402 are specified in red color near components



VFE to FE connectors

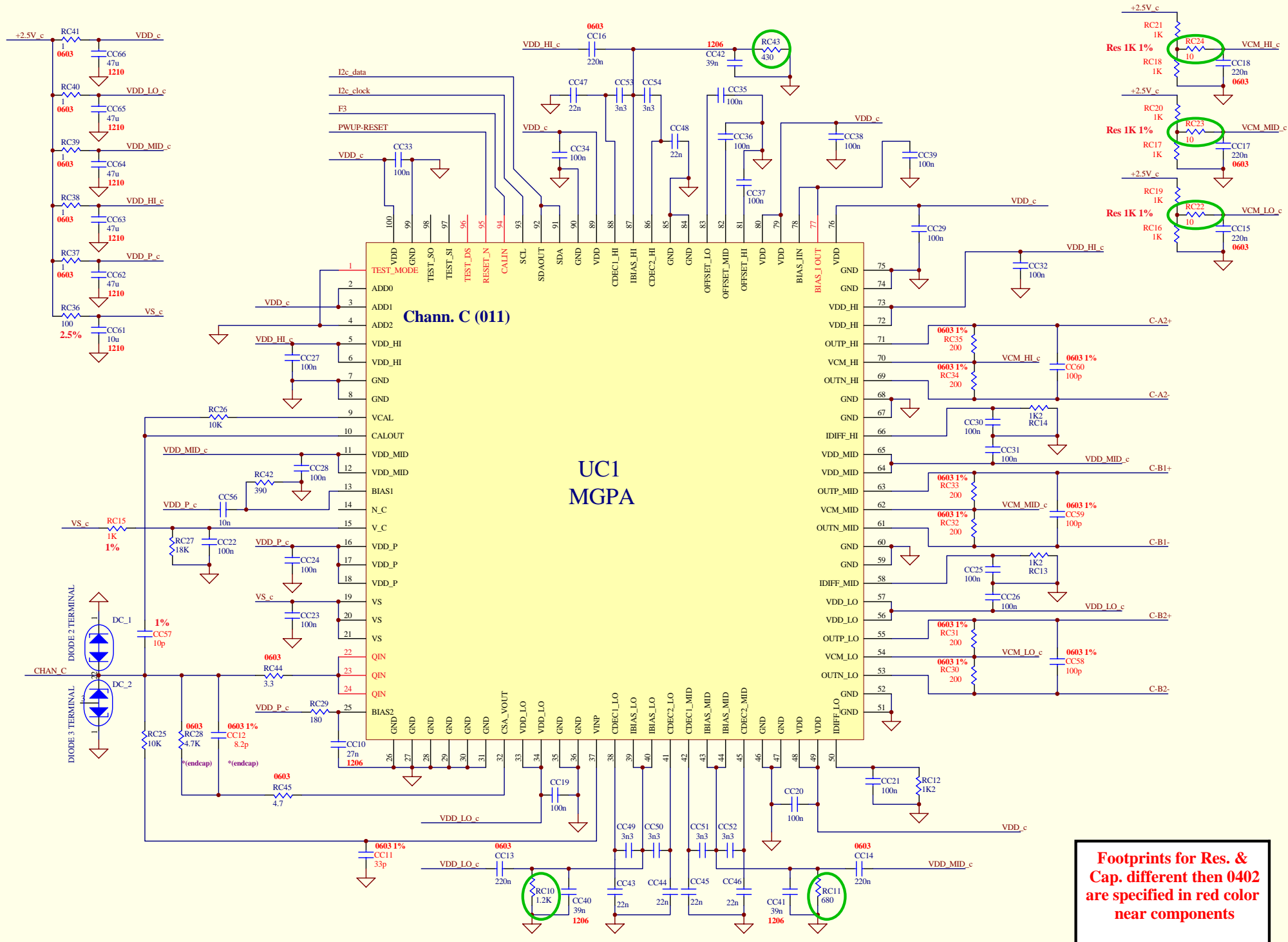


# VFE to Mother Board



Footprint Capacitors 0603

VFE MB

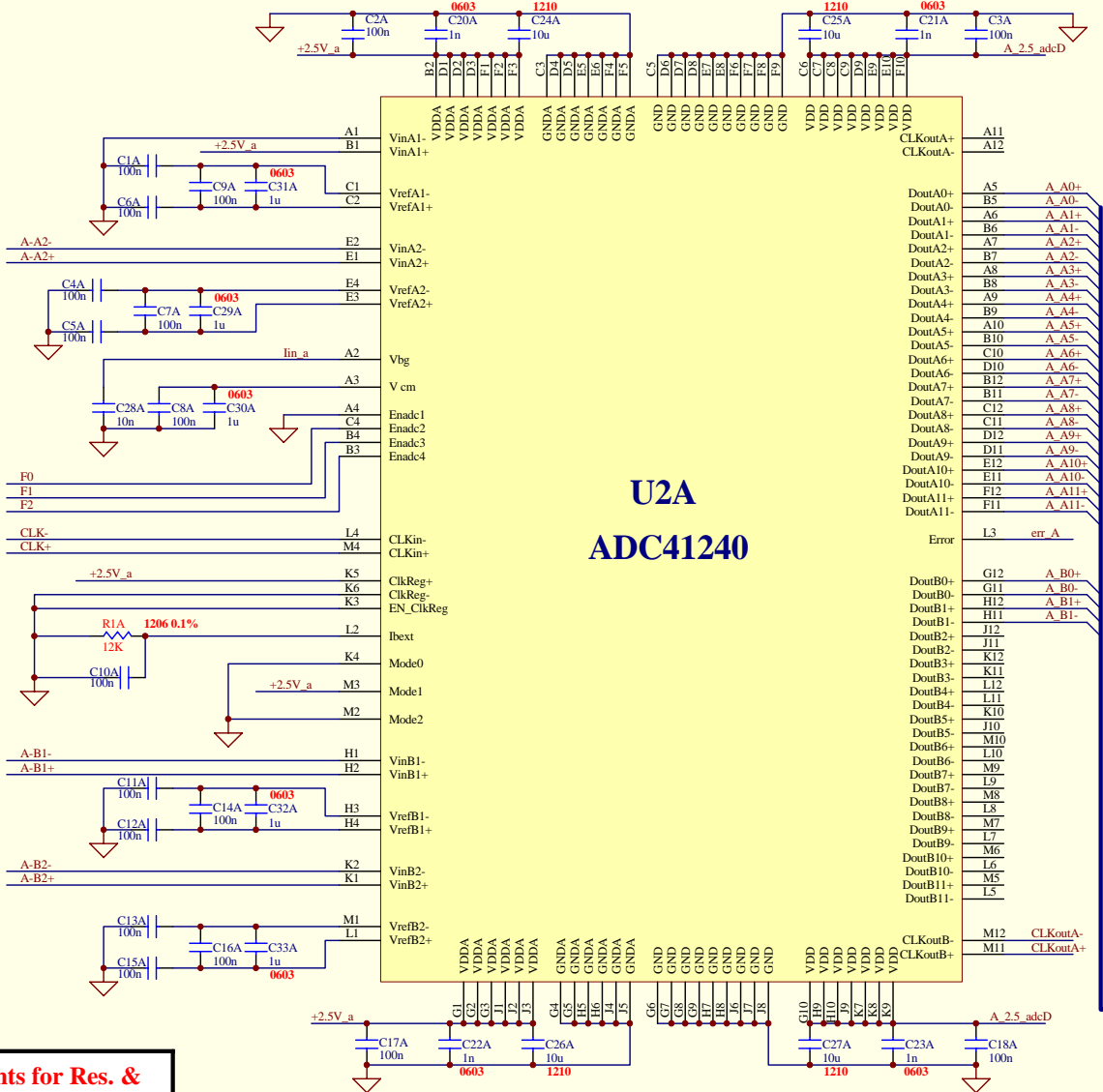
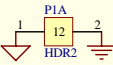


Chann. C (011)

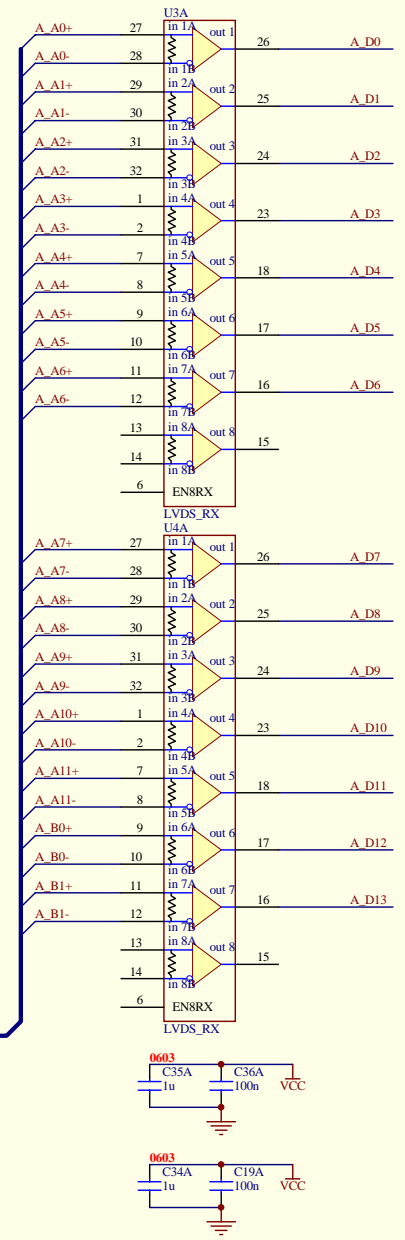
UC1  
MGPA

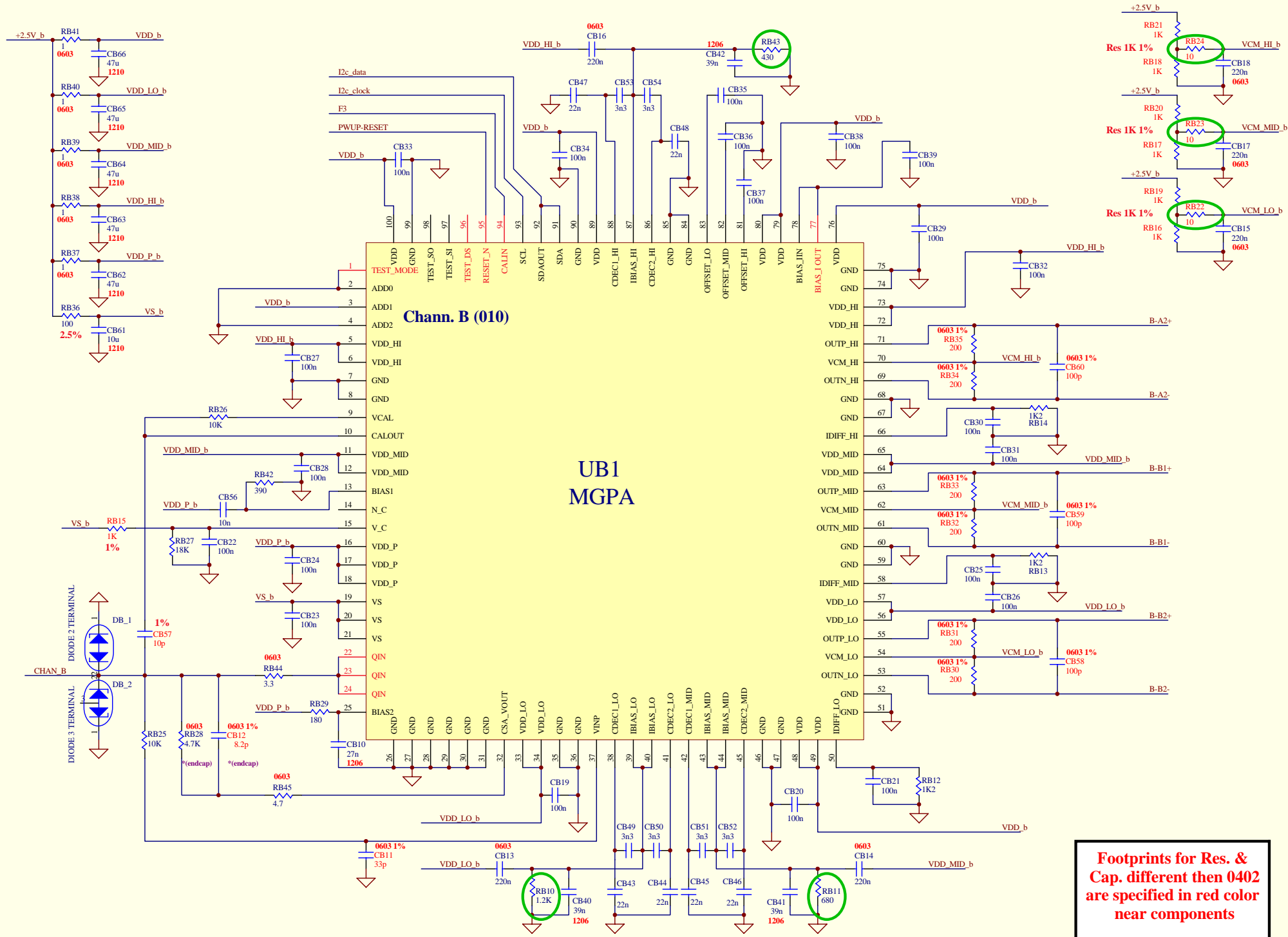
Footprints for Res. & Cap. different then 0402 are specified in red color near components

### Analog & Digital GND Connection

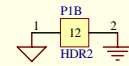


**Footprints for Res. & Cap. different then 0402 are specified in red color near components**

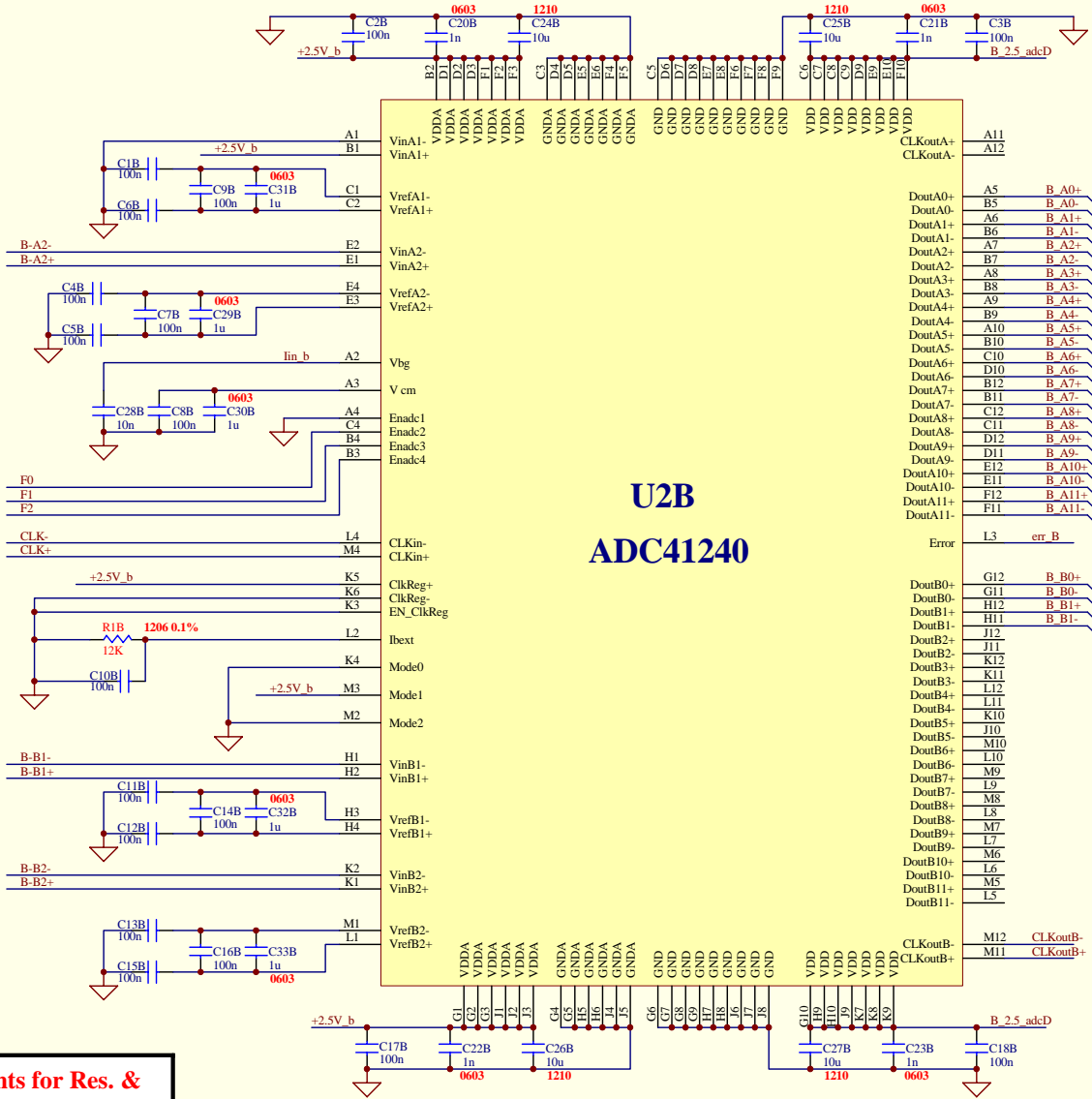




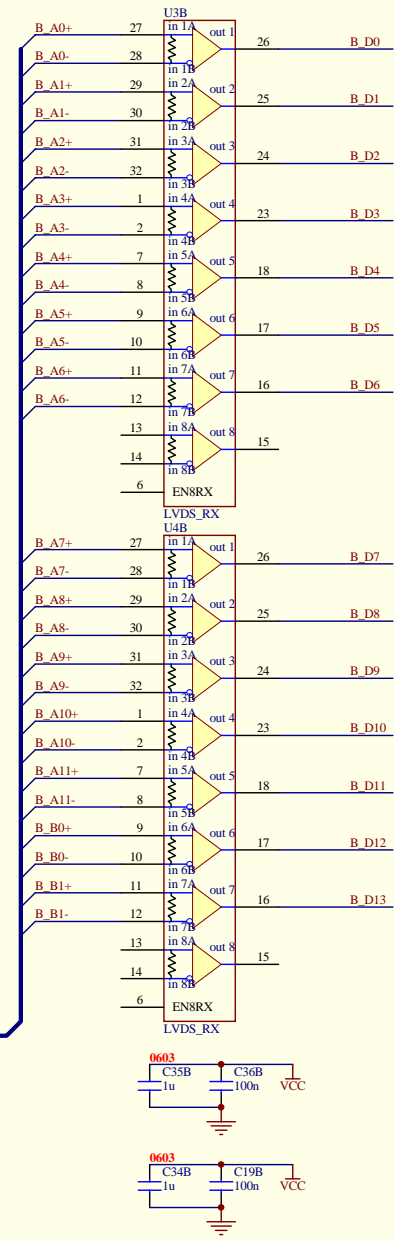
Footprints for Res. & Cap. different then 0402 are specified in red color near components

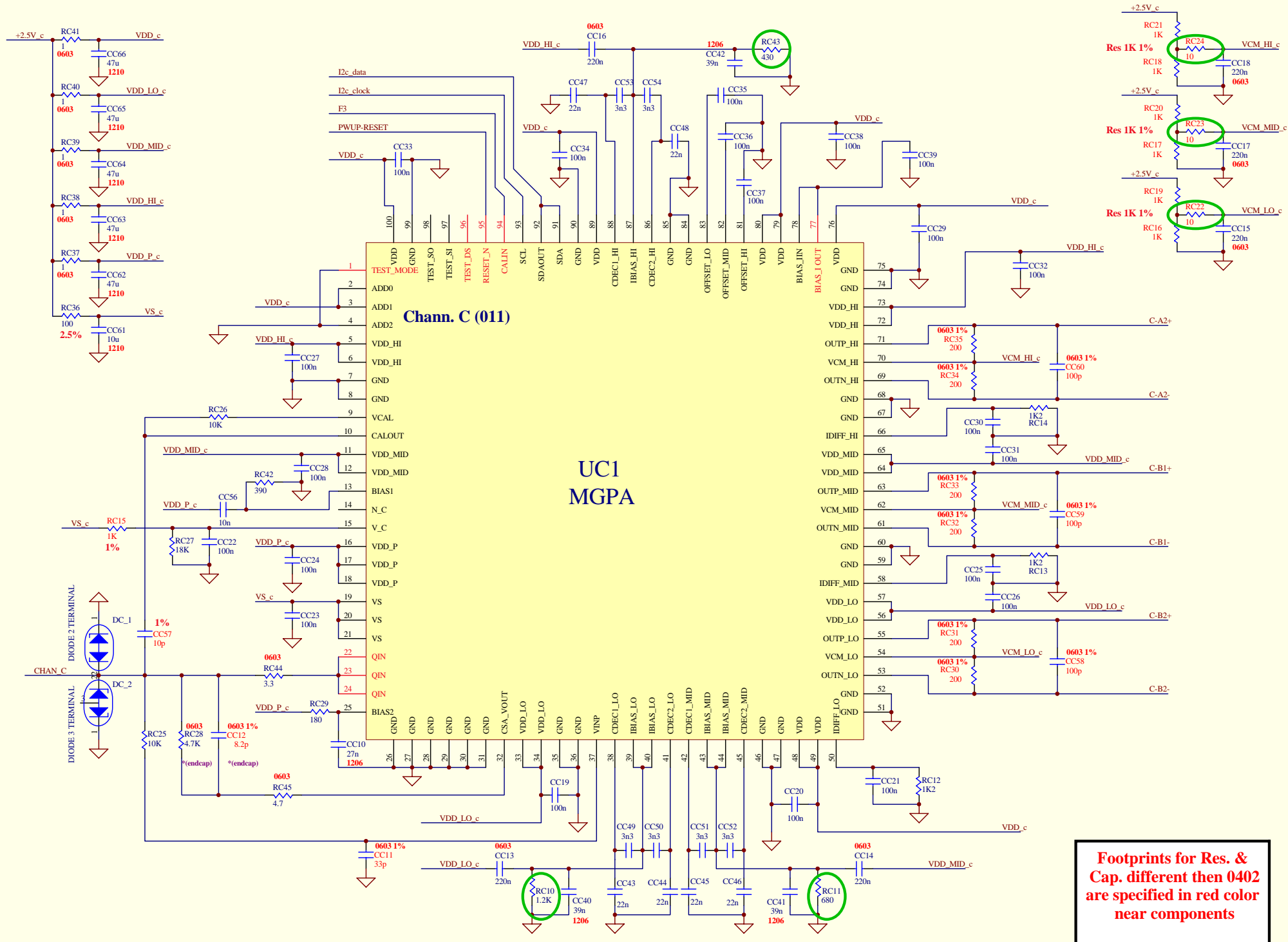


### Analog & Digital GND Connection



**Footprints for Res. & Cap. different then 0402 are specified in red color near components**

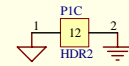




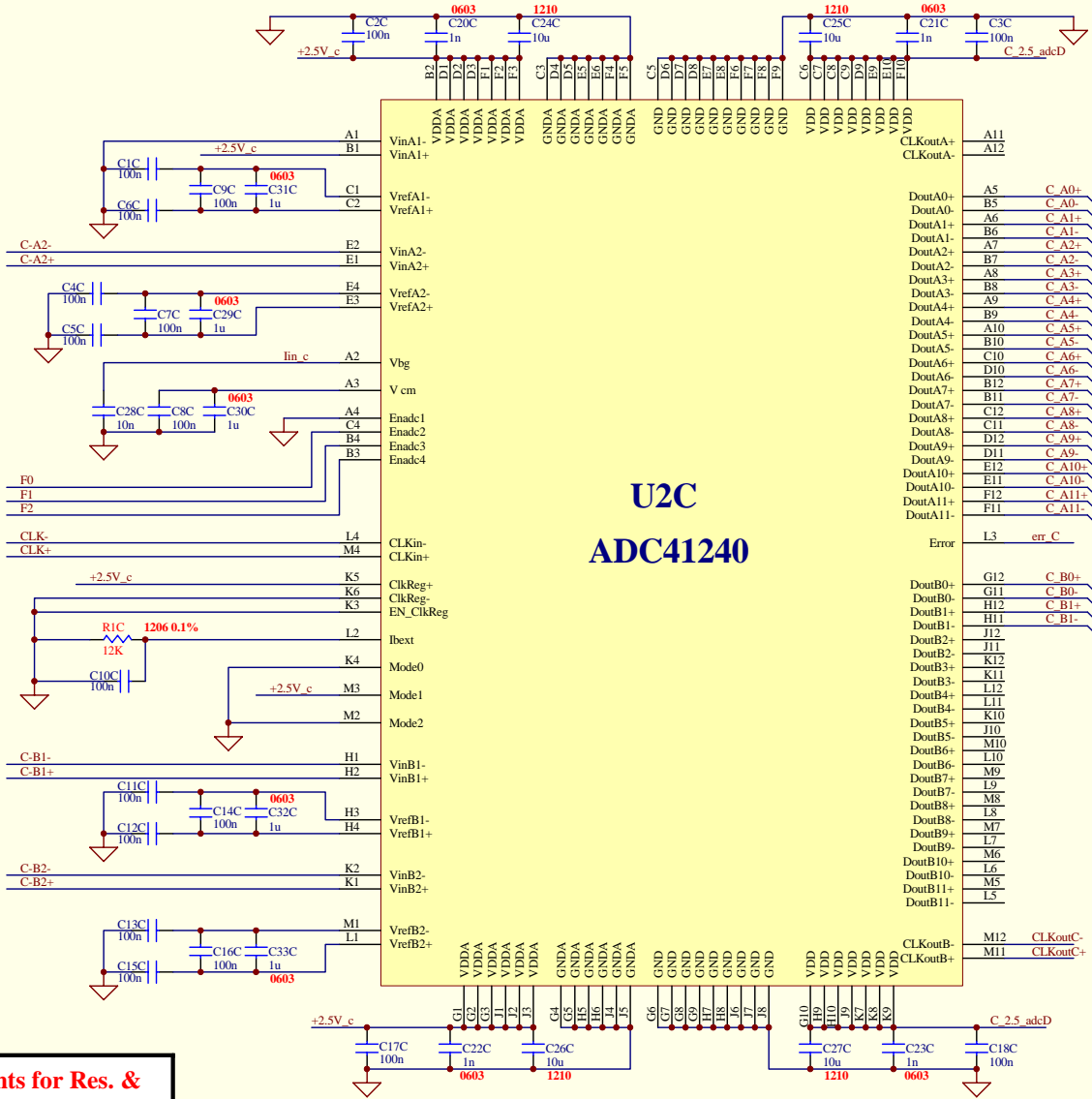
Chann. C (011)

UC1 MGPA

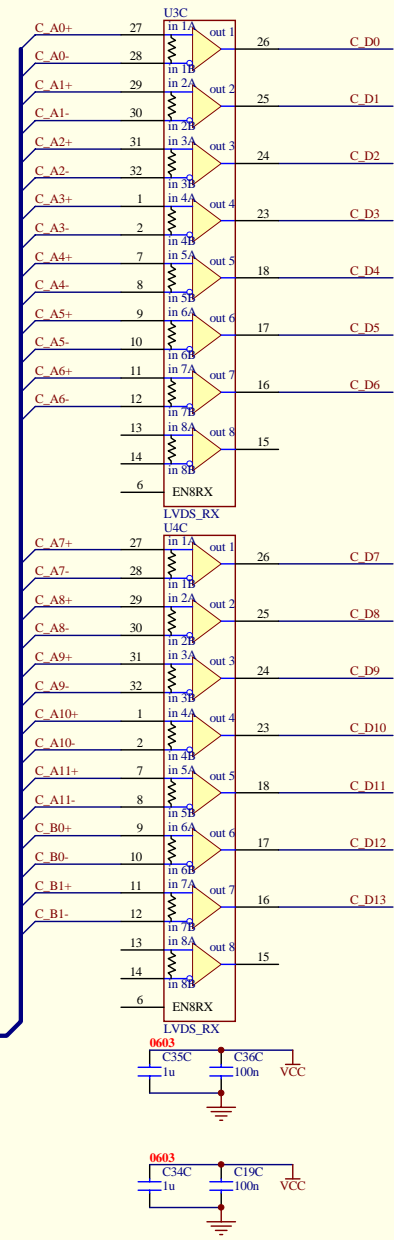
Footprints for Res. & Cap. different then 0402 are specified in red color near components



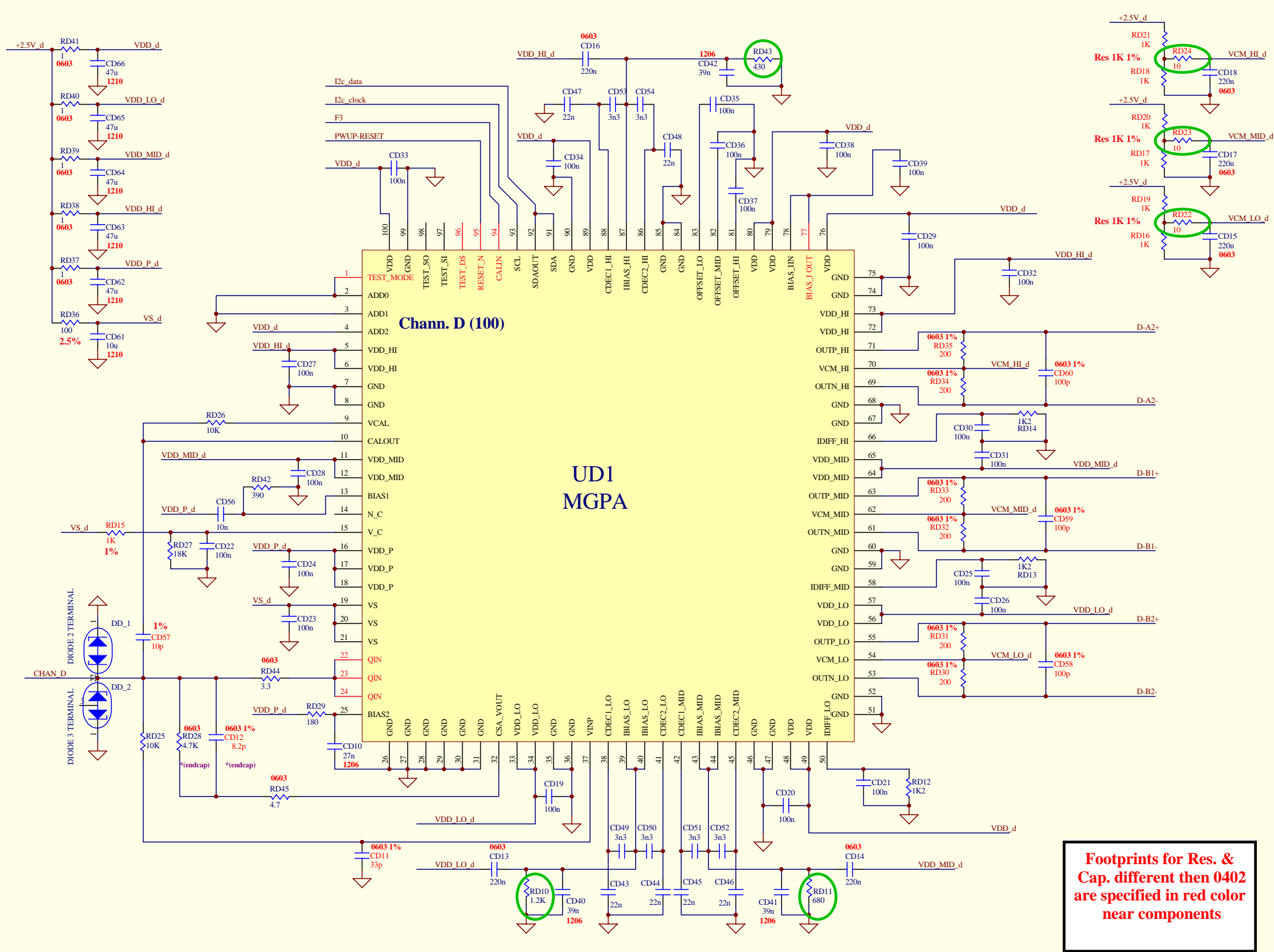
### Analog & Digital GND Connection



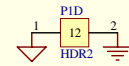
**Footprints for Res. & Cap. different then 0402 are specified in red color near components**



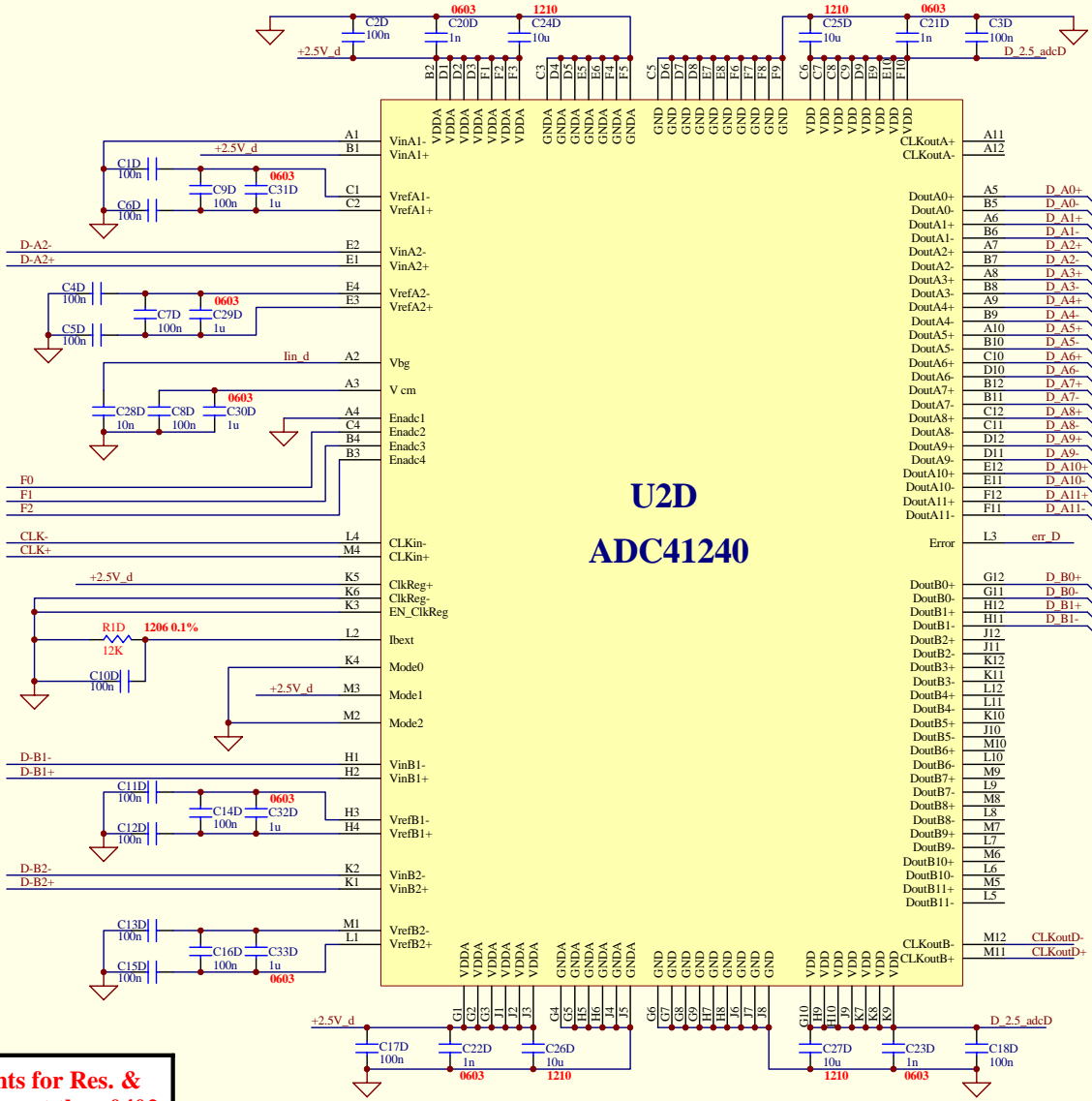




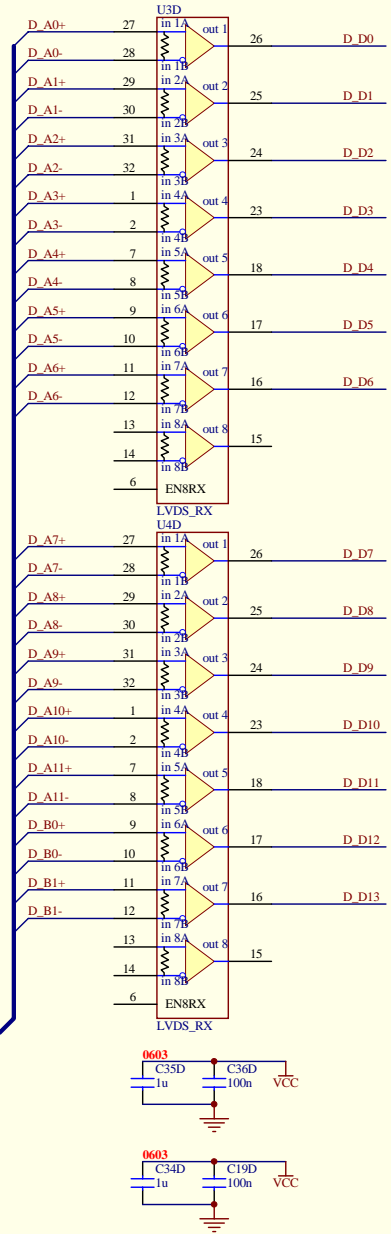
**Footprints for Res. & Cap. different then 0402 are specified in red color near components**

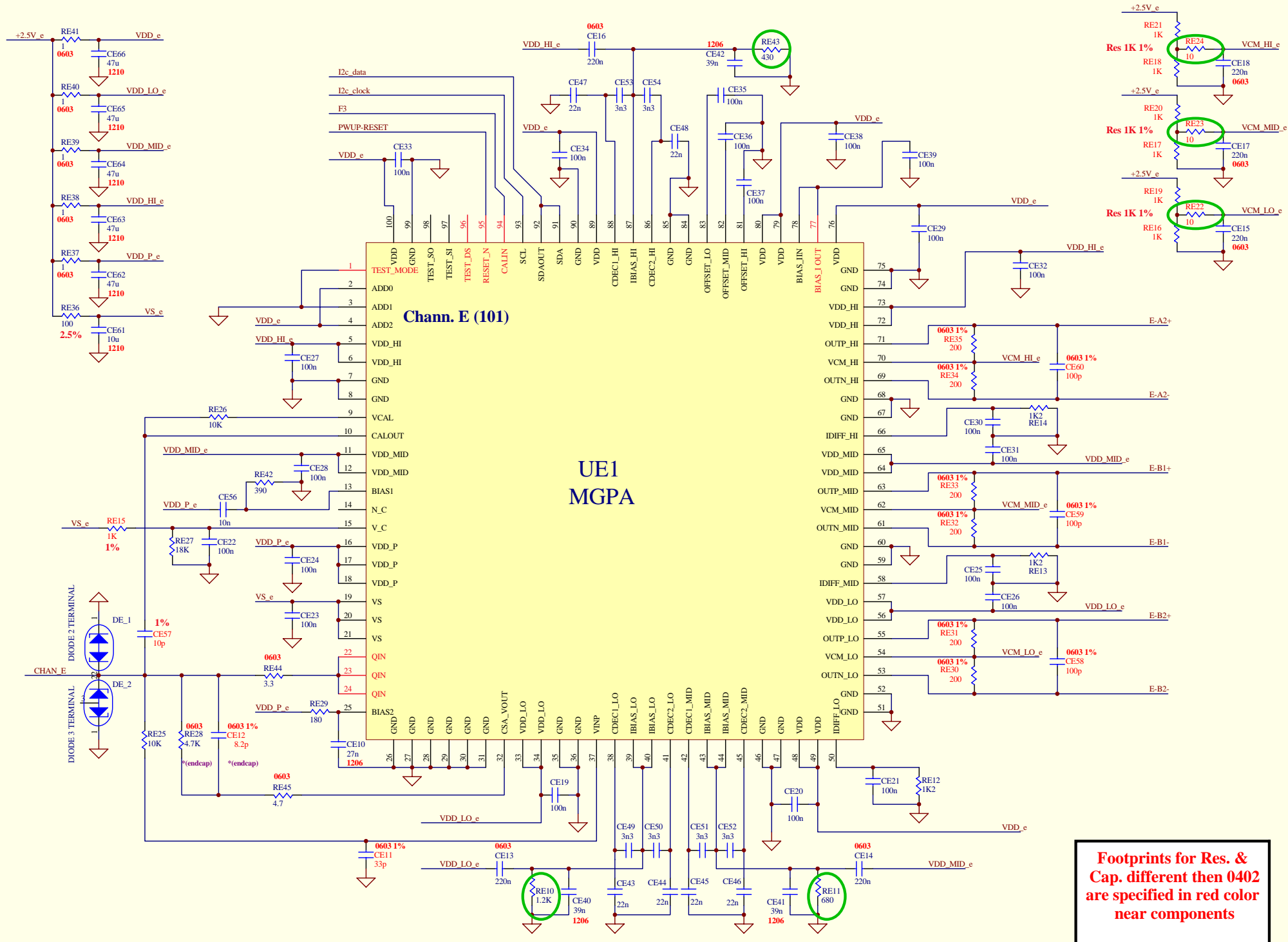


### Analog & Digital GND Connection



**Footprints for Res. & Cap. different then 0402 are specified in red color near components**

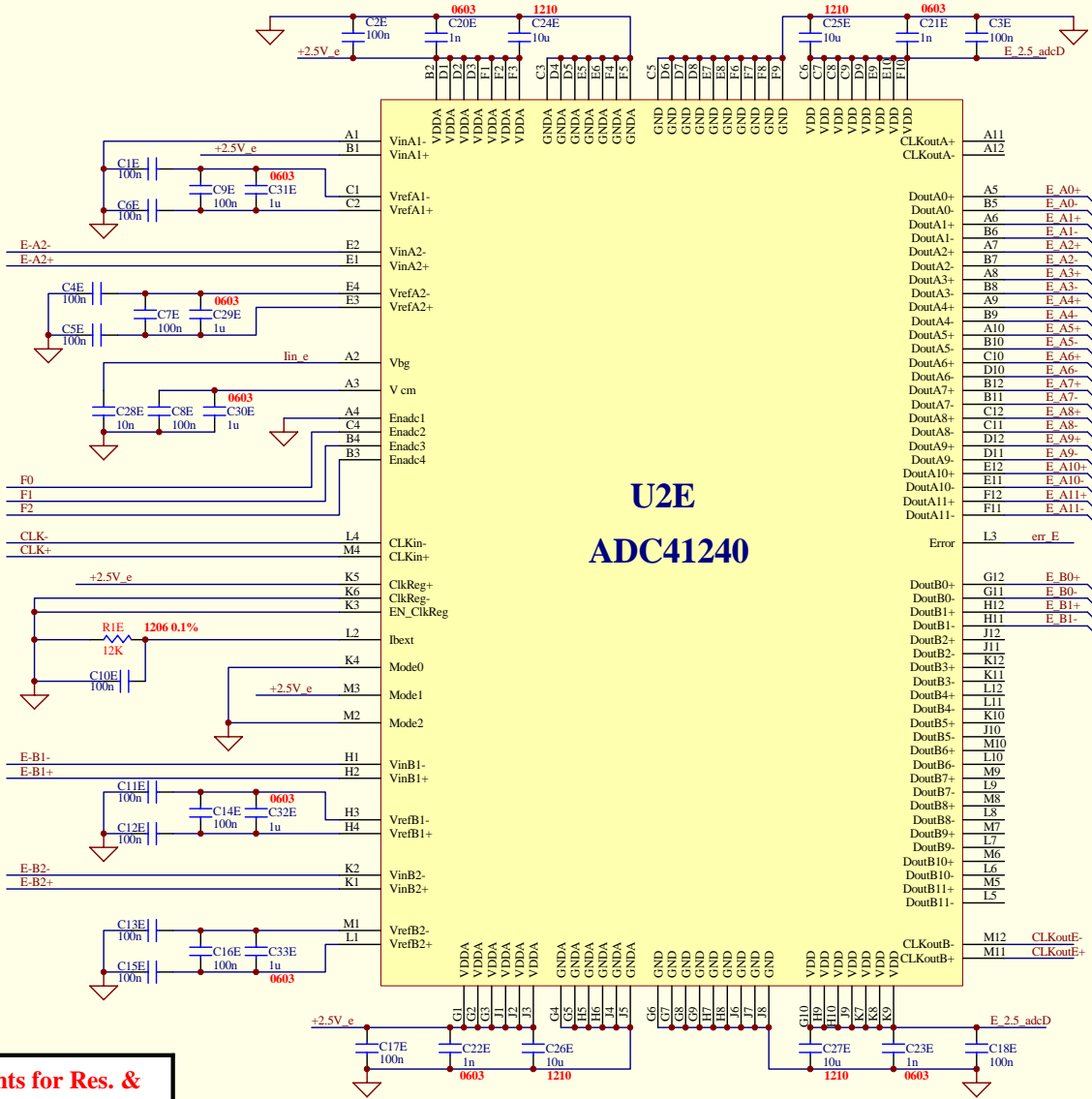




Footprints for Res. & Cap. different then 0402 are specified in red color near components



### Analog & Digital GND Connection



**Footprints for Res. & Cap. different then 0402 are specified in red color near components**

