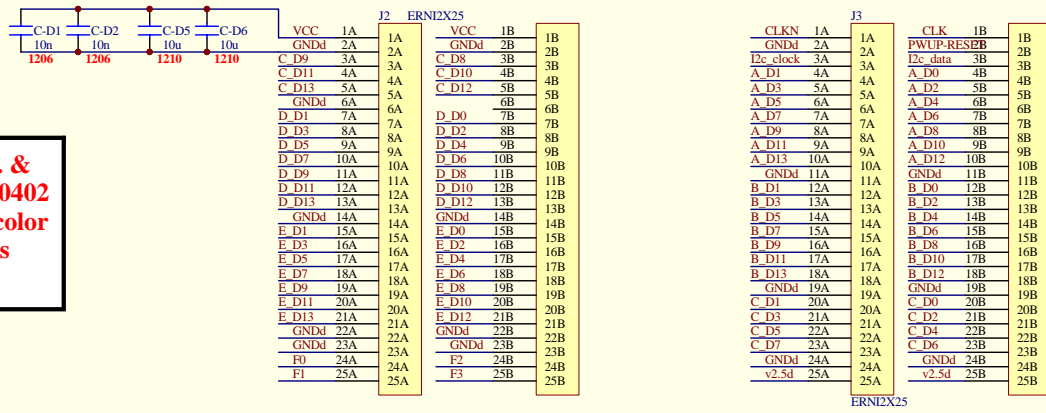
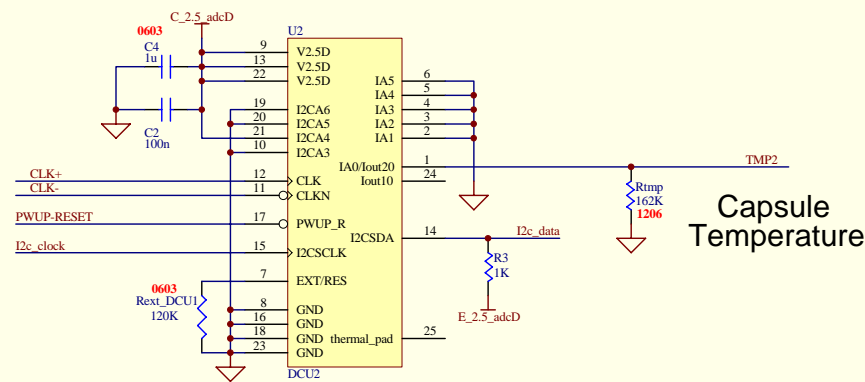
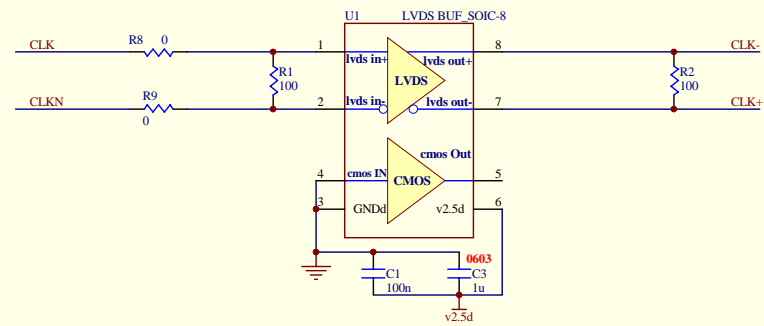
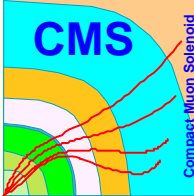


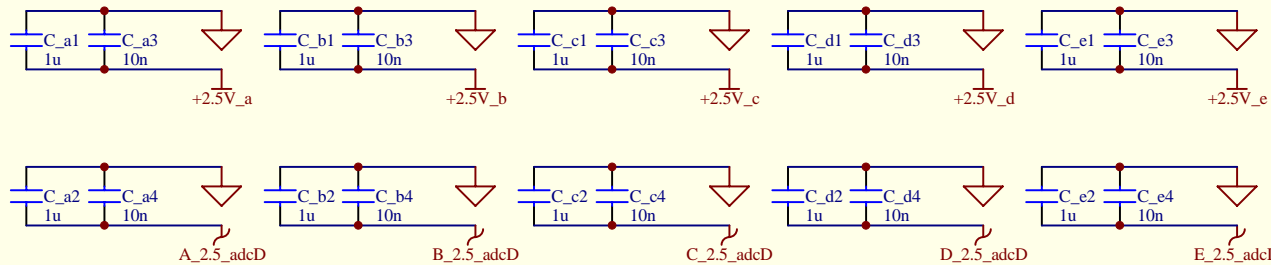
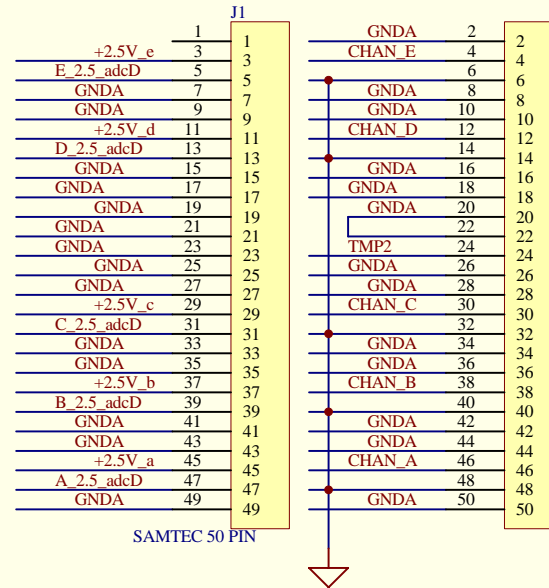
Footprints for Res. & Cap. different then 0402 are specified in red color near components



VFE to FE connectors

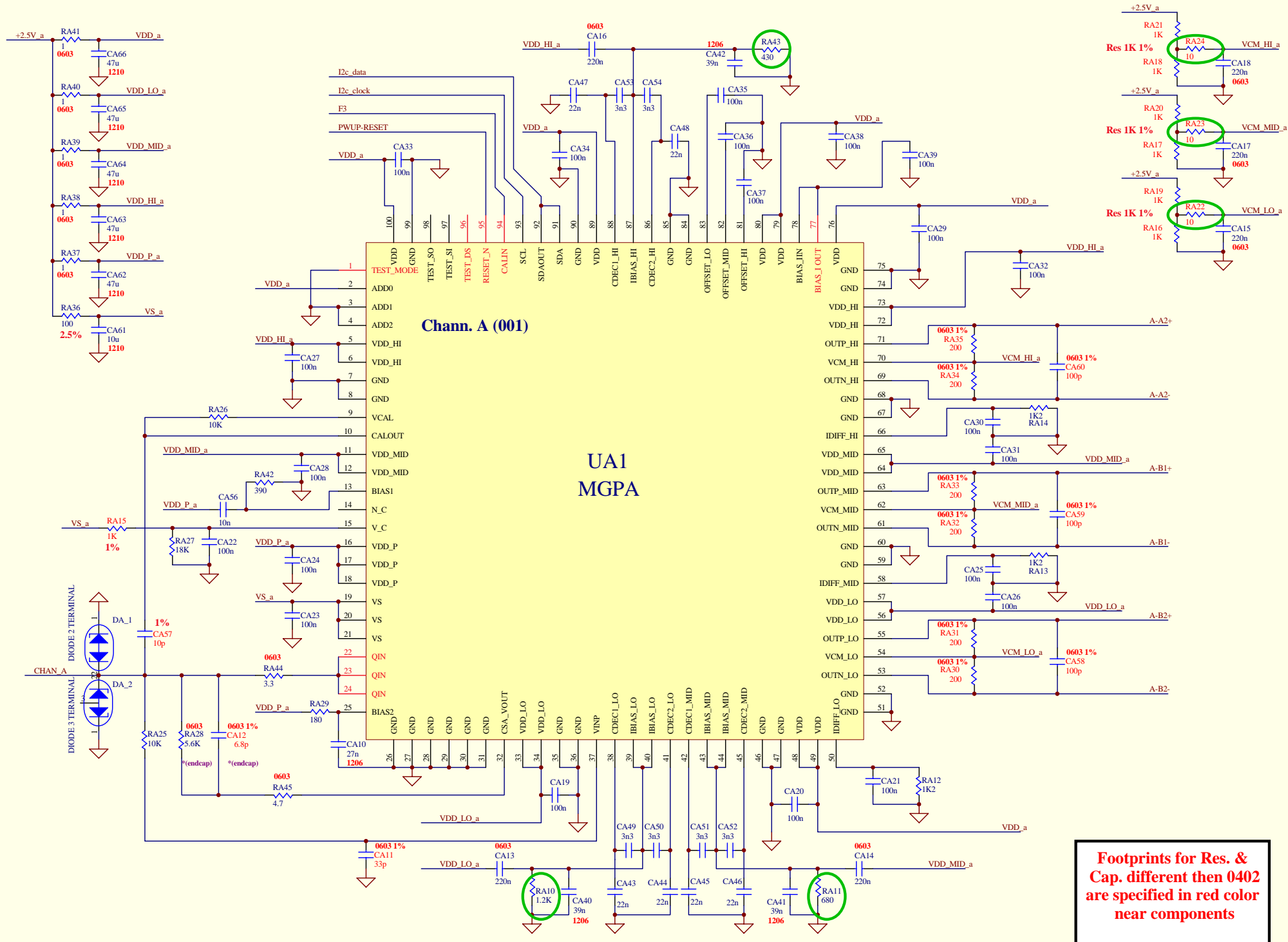


VFE to Mother Board



Footprint Capacitors 0603

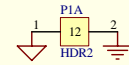
VFE MB



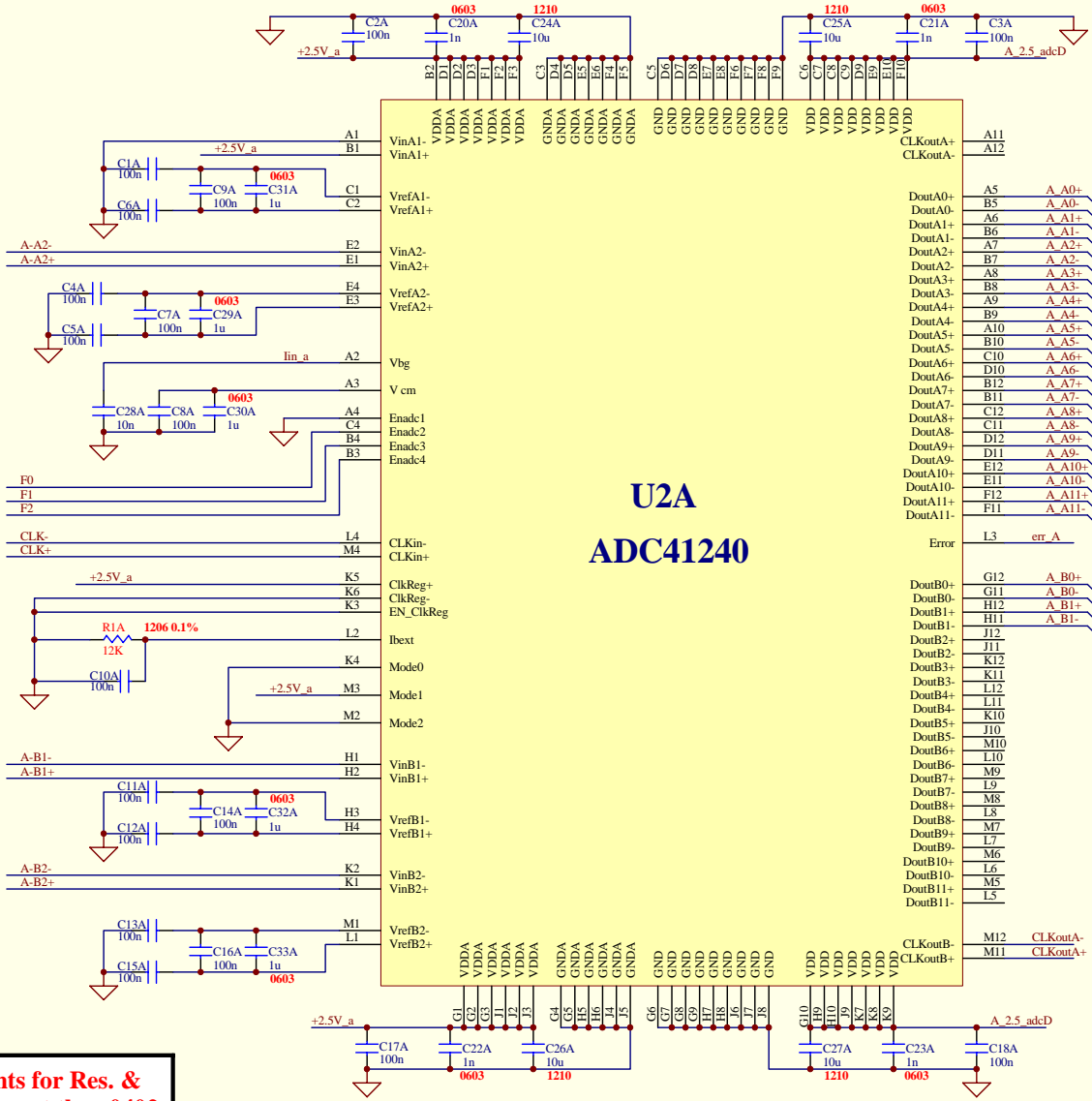
Chann. A (001)

UAI
MGPA

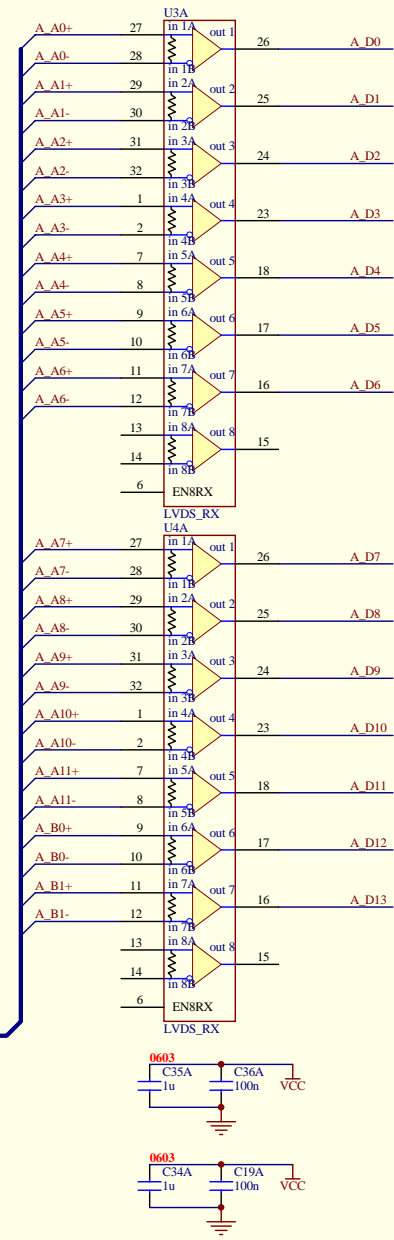
Footprints for Res. & Cap. different then 0402 are specified in red color near components

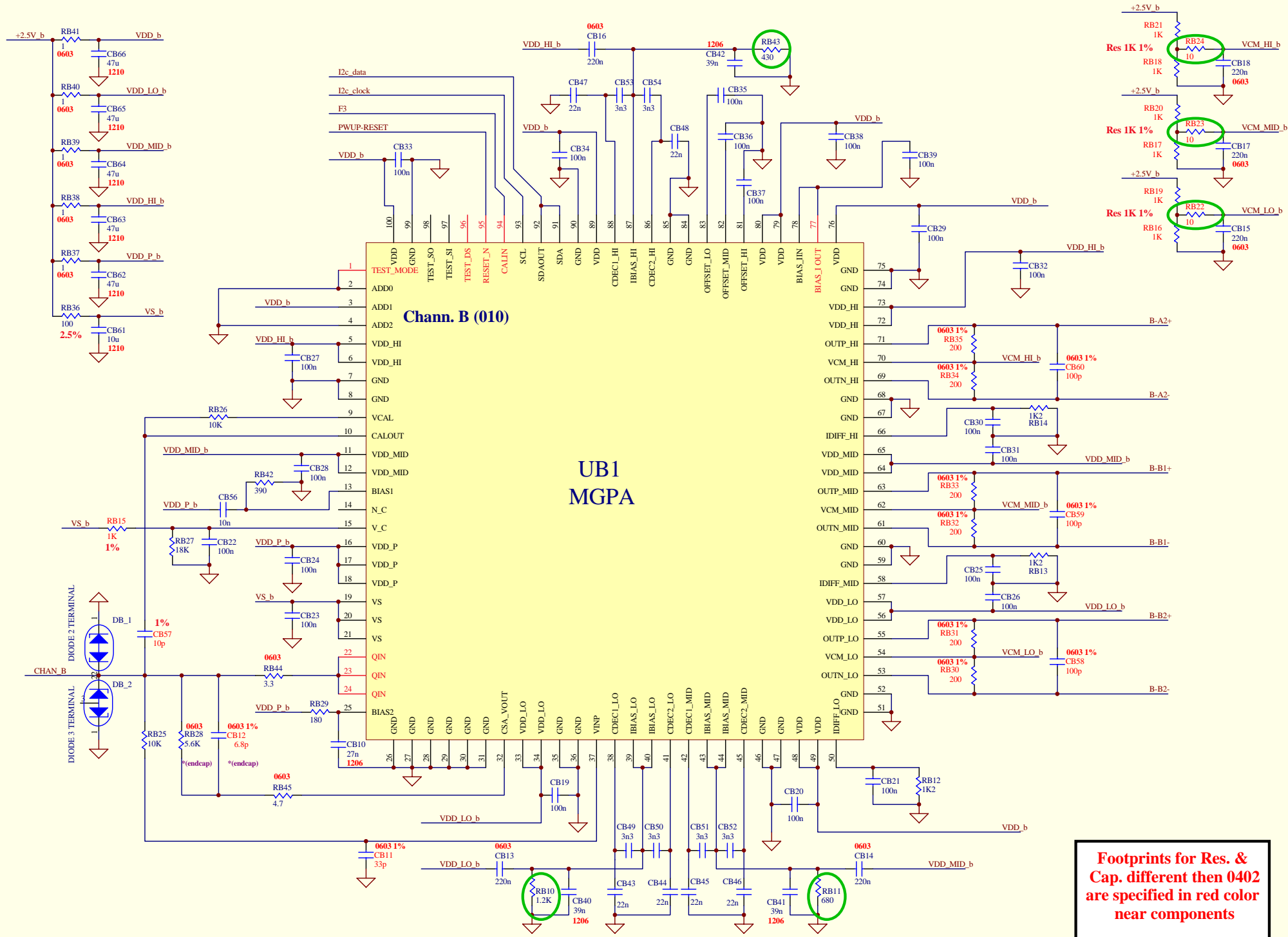


Analog & Digital GND Connection



Footprints for Res. & Cap. different then 0402 are specified in red color near components



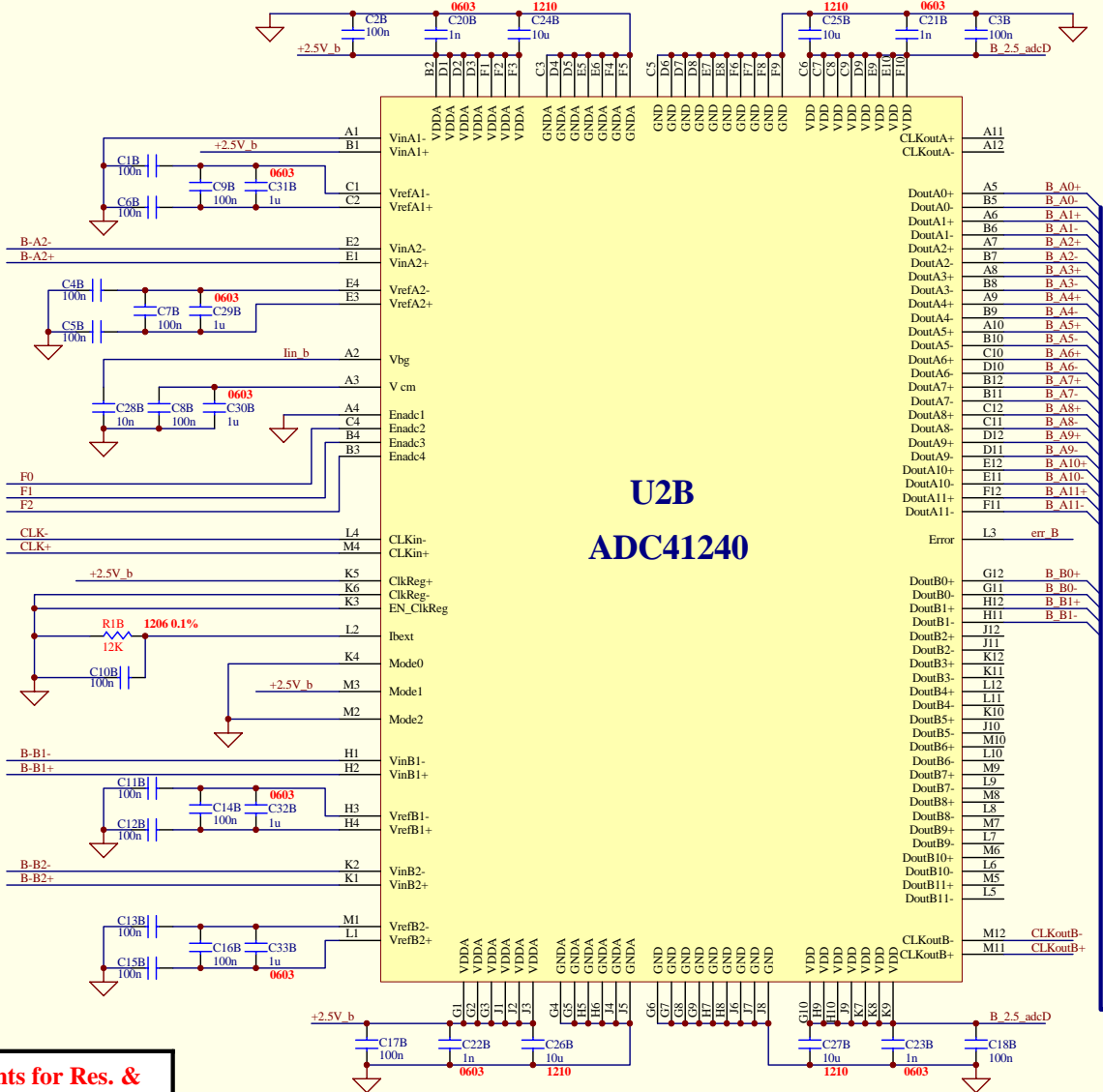
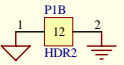


Chann. B (010)

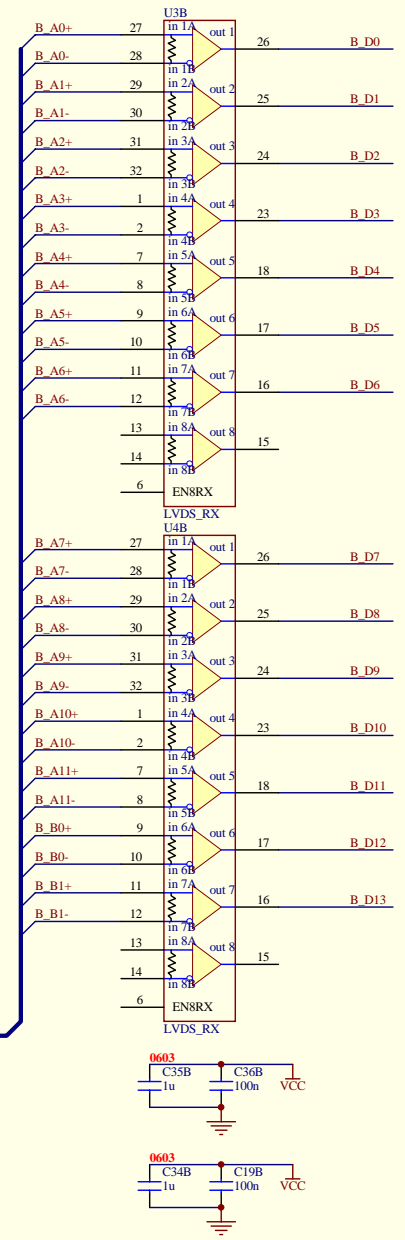
UB1
MGPA

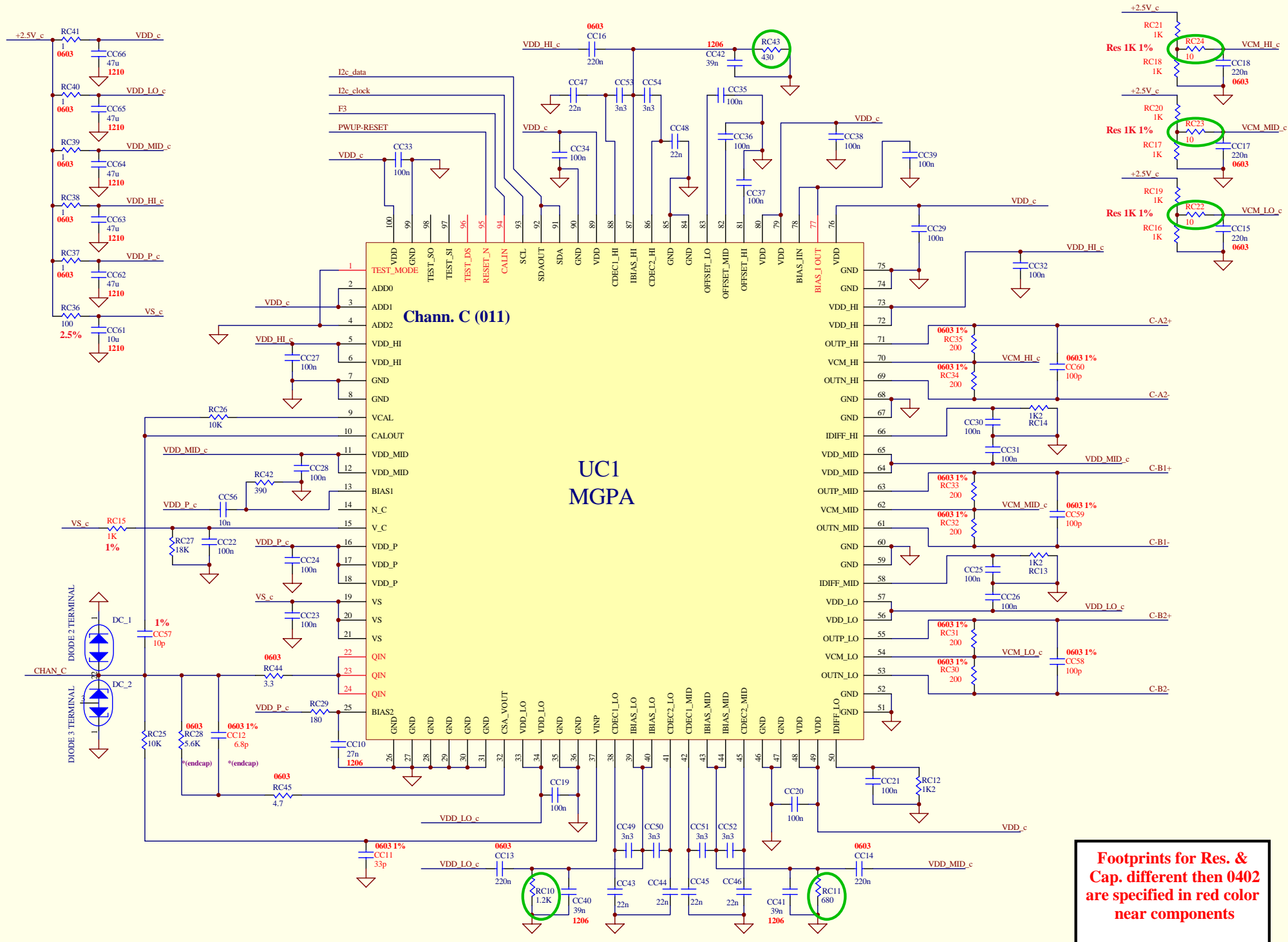
Footprints for Res. & Cap. different then 0402 are specified in red color near components

Analog & Digital GND Connection

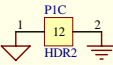


Footprints for Res. & Cap. different then 0402 are specified in red color near components

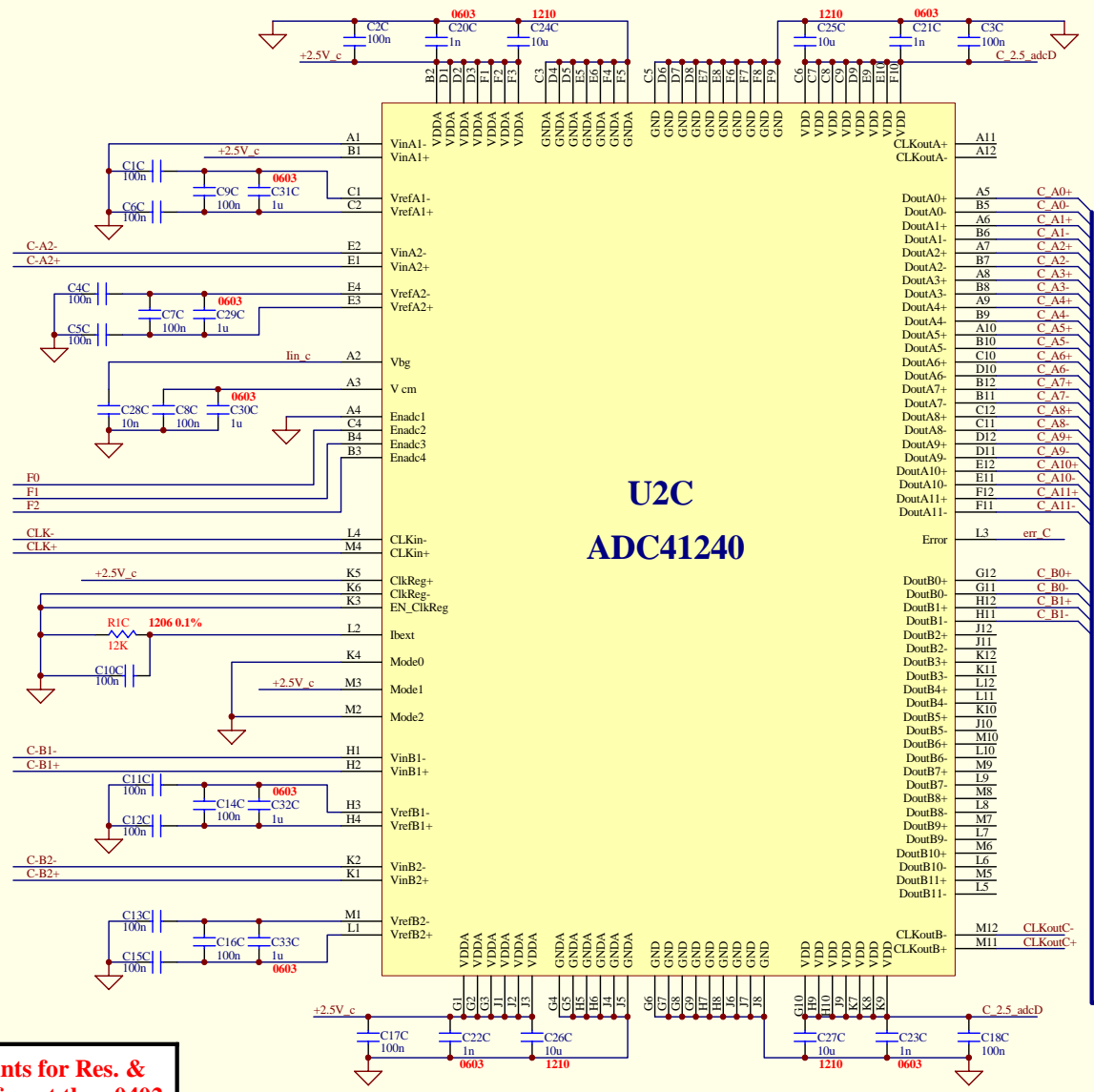




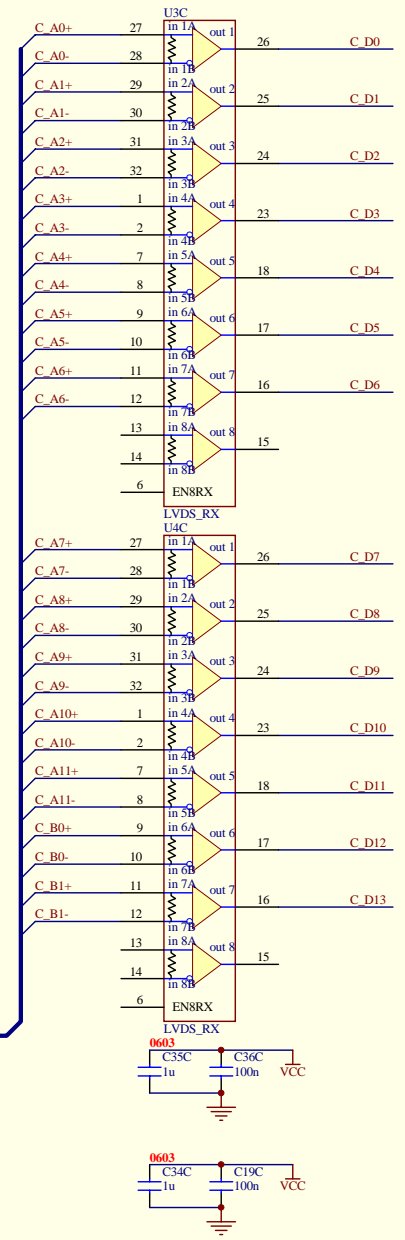
Footprints for Res. & Cap. different then 0402 are specified in red color near components

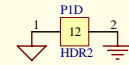


Analog & Digital GND Connection

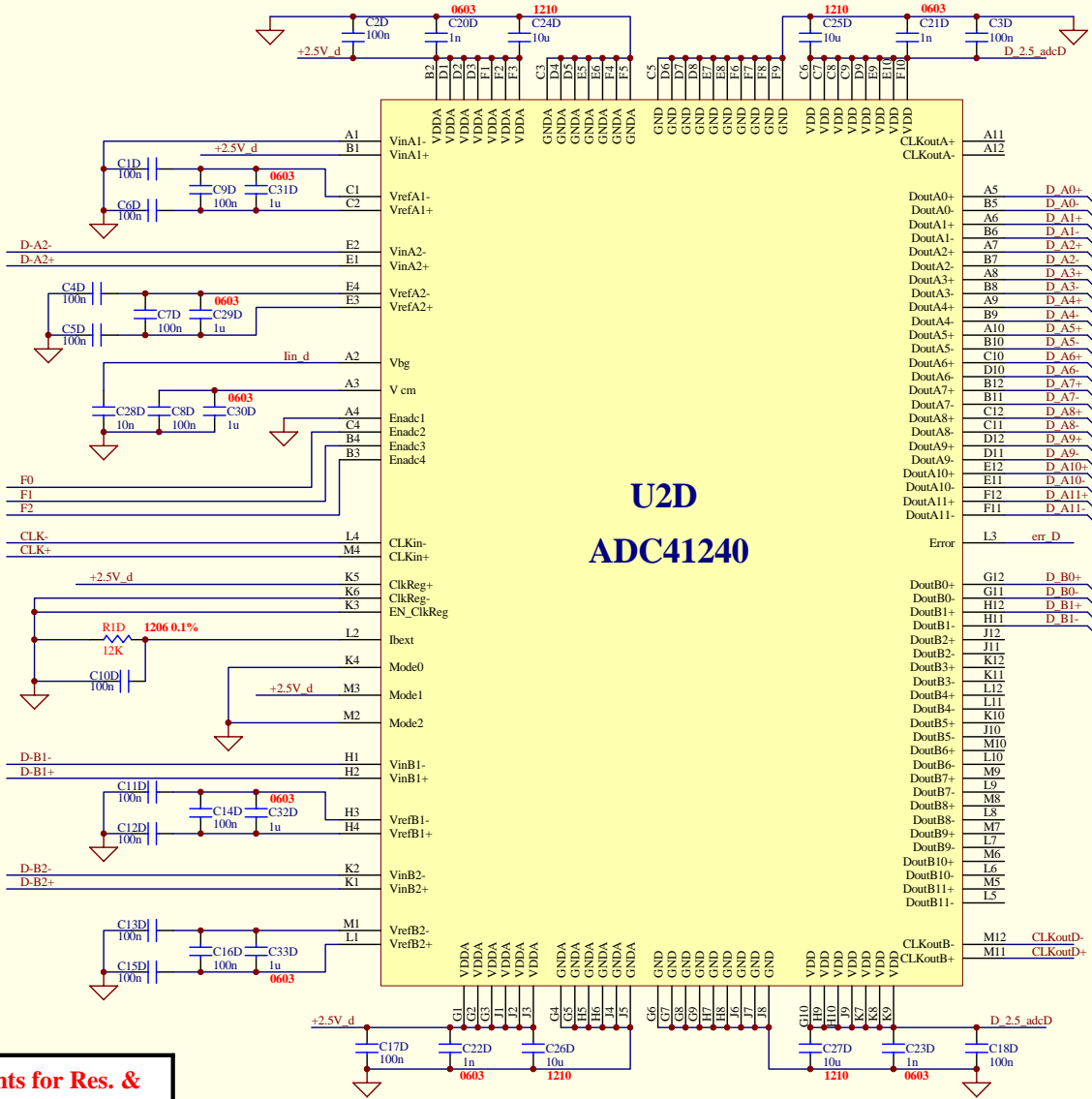


Footprints for Res. & Cap. different than 0402 are specified in red color near components

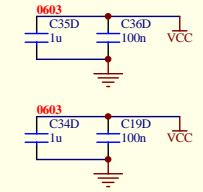
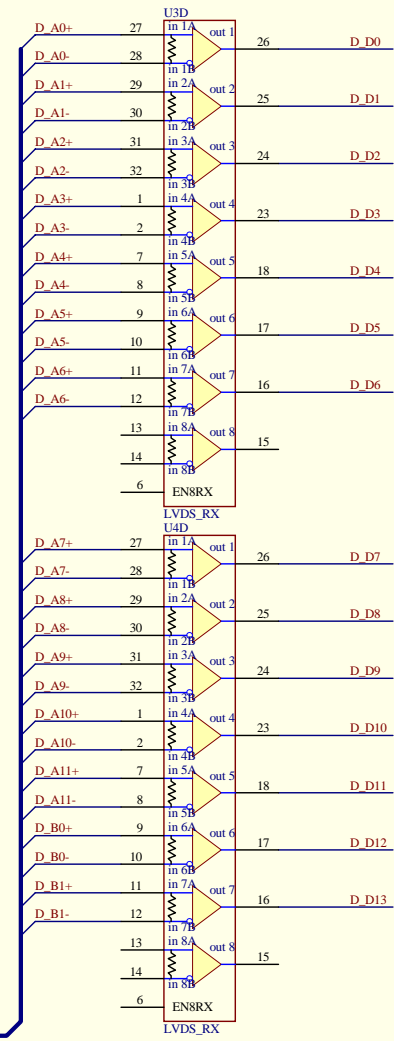


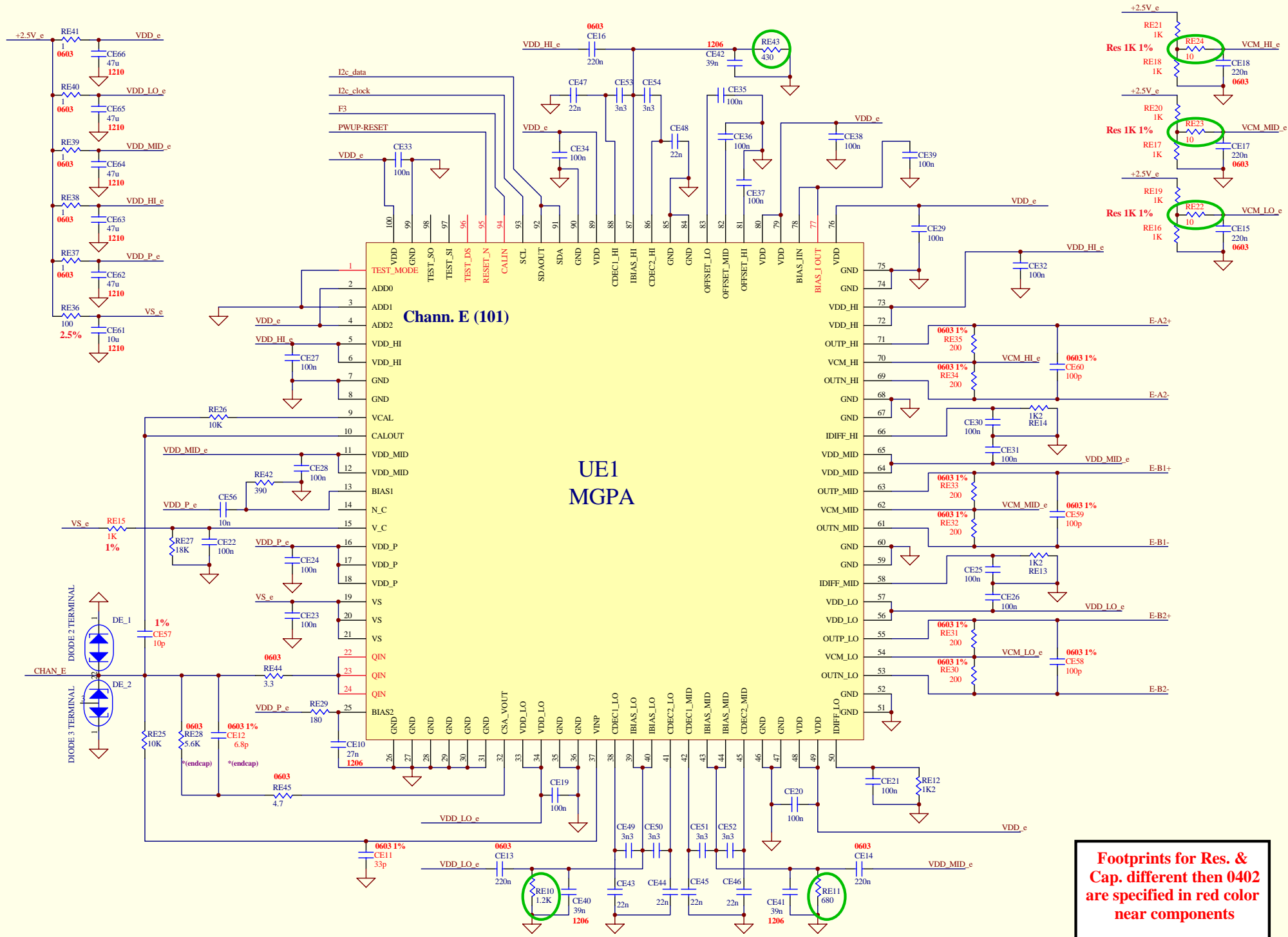


Analog & Digital GND Connection



Footprints for Res. & Cap. different then 0402 are specified in red color near components





Footprints for Res. & Cap. different then 0402 are specified in red color near components



Analog & Digital GND Connection

