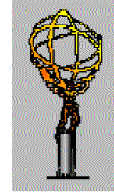


CMM → CTPD Interface



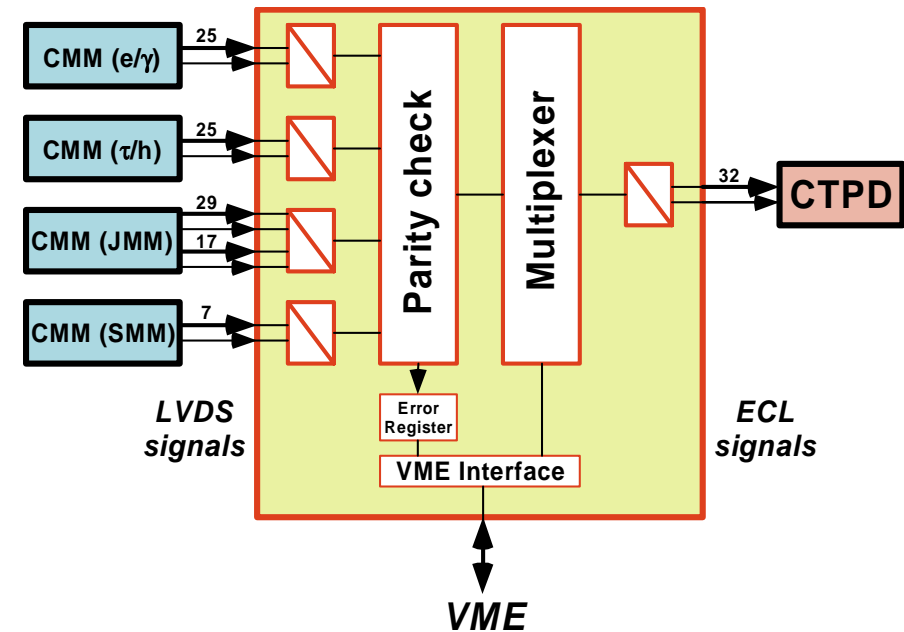
- ◆ **Requirement: Use CTPD Demonstrator with CMMs in Slice Tests**

- ◆ **Programmable Interface between four CMMs and CTPD**

- ◆ **CMMs - total of 103 outputs (+ clocks)**

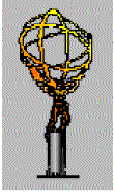
- ◆ **Parity check on input signals - errors counted and read by VME**

- ◆ **CTPD - only 32 inputs in eight 4-bit (+clock) groups**

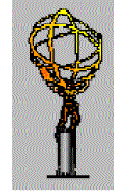


- ◆ **Split CMM outputs into 4-bit groups**

- ◆ **Zero-skew clock fan-out adds clock to each 4-bit group**



CMM → CTPD Interface



- ◆ Programmable multiplexer routes any 4-bit (+clock) CMM output group to any 4-bit (+clock) CTPD input group
- ◆ Eight 5-bit MUX SELECT registers
- ◆ Five 8(16)-bit PARITY ERROR counters
- ◆ *Routing implementation:*
 - Discrete digital multiplexers
 - CPLDs
 - Digital (*crosspoint*) switches
- ◆ 9U A24/D16 VME slave module

