

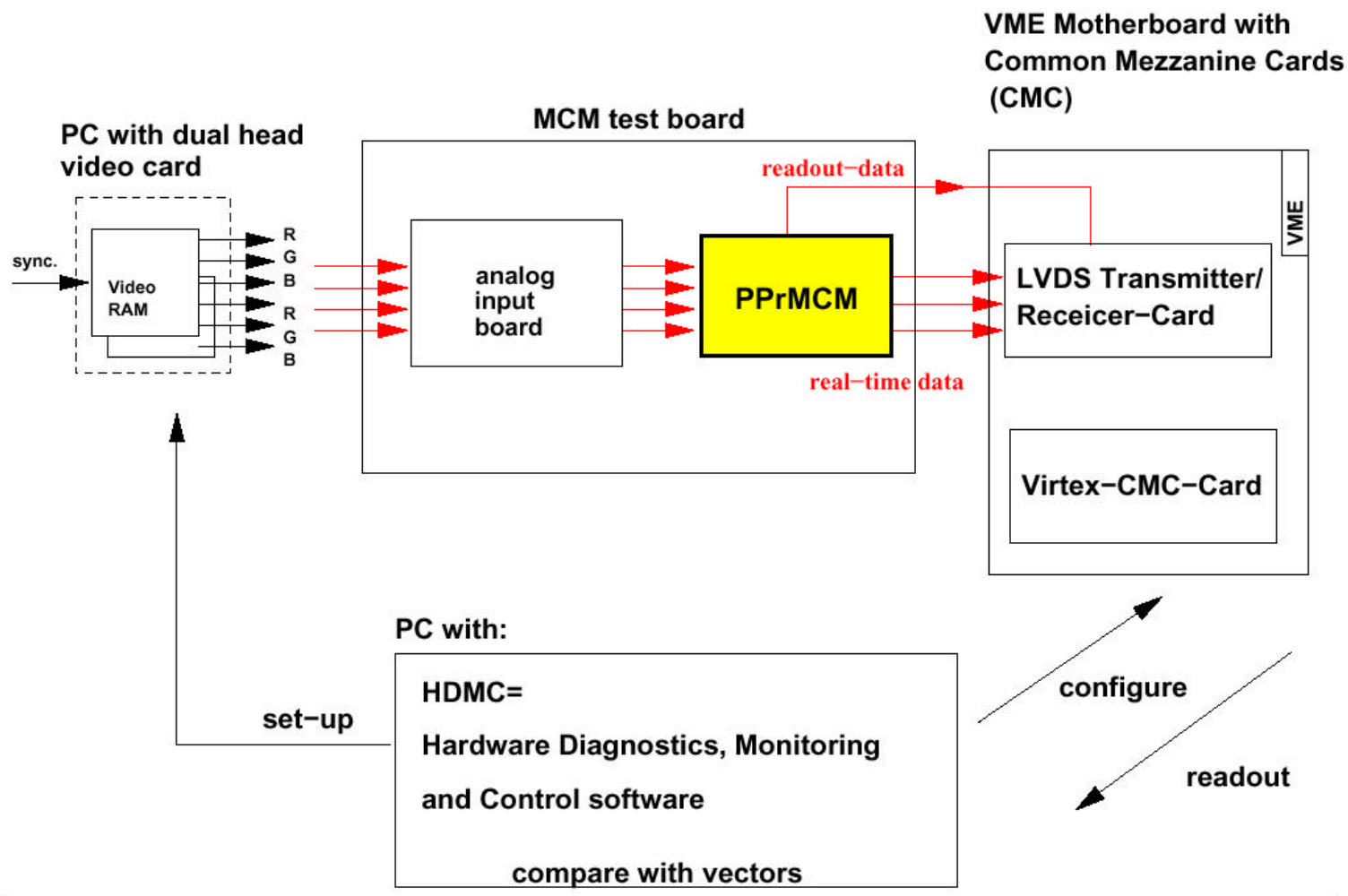


Heidelberg Status - 1



MCM Test Setup

Heidelberg, 14–16 March 2002



W. Hinderer

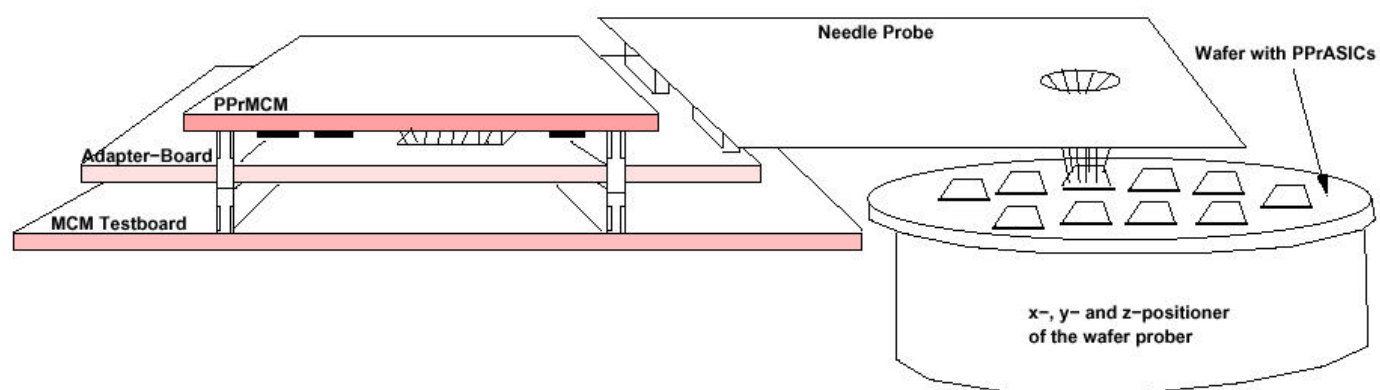


Heidelberg Status - 2



Test of the PPrASIC

Heidelberg, 14 –16 March 2002



W. Hinderer



Heidelberg Status - 3



- ◆ Two MCMs now fully assembled – ready for functional tests
- ◆ Associated MCM test modules:
 - ◆ 6-layer pcb, layout complete, ready for manufacture
 - ◆ Needle-probe card + Adaptor – both 2-layer pcbs, layout complete, ready for manufacture
 - ◆ LVDS CMC card – assembled, CPLD programming complete, power test next
- ◆ AnIn daughter-card – two pcbs ready for assembly (*awaiting effort*)
- ◆ Software/Firmware:
 - ◆ Xilinx synthesis tools updated
 - ◆ VME motherboard data I/O state-machine code now debugged and working reliably



Mainz Status



- ◆ Testing the real-time data path tests on the JEM0.1 has now started
 - ◆ LVDS deserialisers → Input Processor FPGAs → Backplane pins
 - ◆ Backplane pins → Main Processor FPGA
- ◆ Problems with input data synchronisation scheme following LVDS deserialisers (*using CP firmware in Input Processor FPGAs*)
 - ◆ Needs more investigation – help from RAL engineers?
 - ◆ Bypassed at present
 - ◆ Meanwhile start to work with data into Main Processor FPGA
- ◆ LVDS link replicator (fan-out) currently being made
- ◆ Problems trying to operate DSS under HDMC
 - ◆ Could be VME LINUX driver? Discuss further at next Software meeting
- ◆ Operating JEM0.1 in crate and with TCM, etc. – not yet (>1 month?)



Stockholm Status



- ◆ Missing ground pins for crate #2 should be shipped to Birmingham today
- ◆ Extended crate runners (*340 mm*) ordered from Elma – delivery to Stockholm ~now
- ◆ Assembly of final two crate/processor-backplanes (*CPBs*) almost complete
 - ◆ Will be fitted with new runners and full set of power/ground pins before shipping
 - ◆ Proposal – ship CPB#3 to RAL to allow two parallel test set-ups (CMM + CANbus, etc)
 - ◆ CPB#4 to Mainz >1 month? Or JEM0.1 to RAL first (*crate shipping is very expensive*)?
- ◆ UNIX system currently being upgraded
- ◆ New Slice Test schedule discussed with Sam and approved
- ◆ Sam has another new graduate student – could be useful in JEP sub-system tests in UK
- ◆ Include Stockholm in future Software phone/video conferences?