



27th April 2004

ROD Spec - Update



C .N .P .Gee
Rutherford Appleton Laboratory



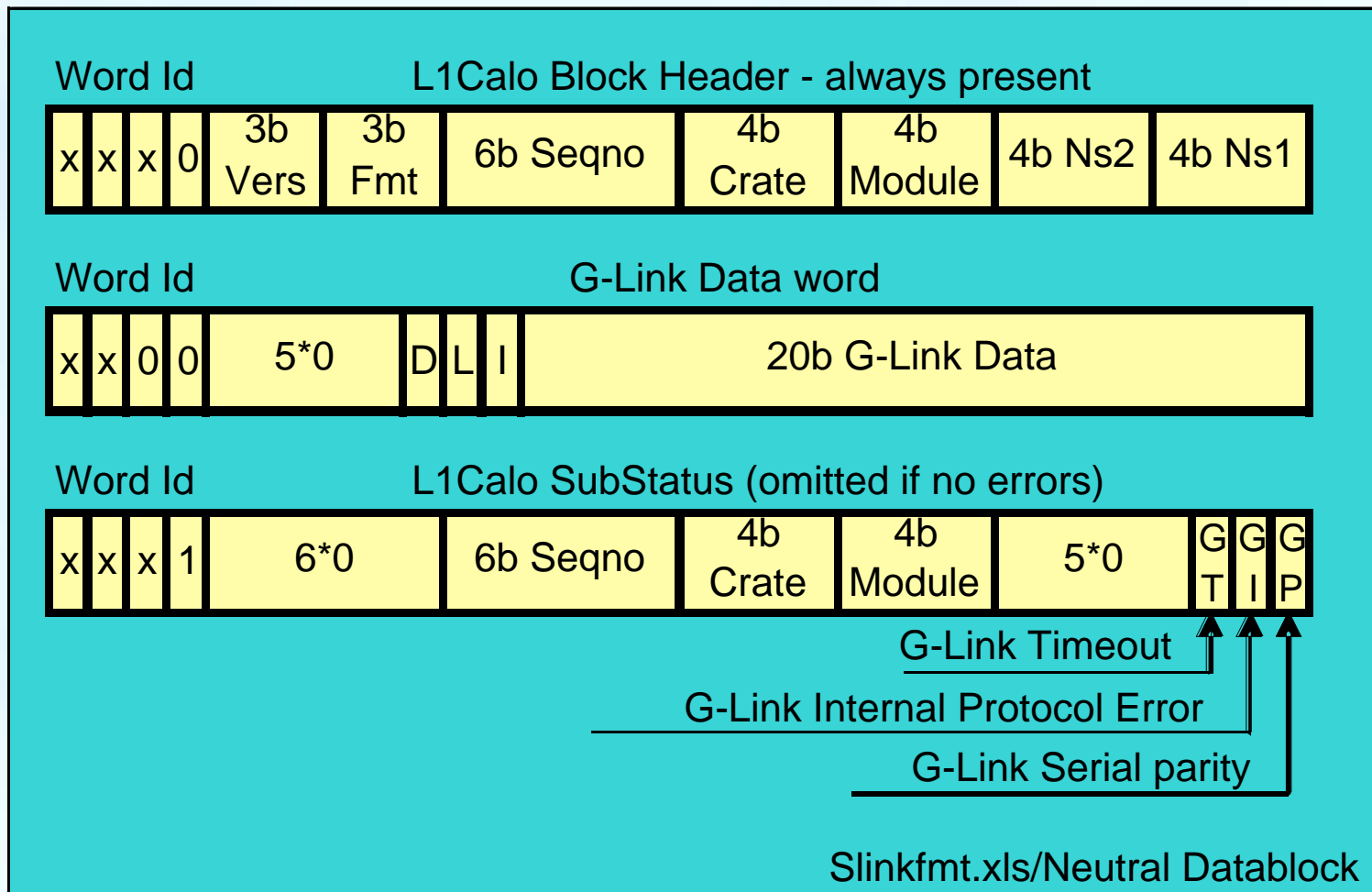
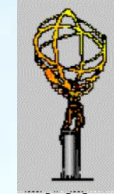
Document Status



- **92 pages. Now includes all corrections except data formats.**
- **Data formats complete except for PPR (bit clarifications in input).**
 - Copy of formats to Bruce, Tony, Ian to think about.
 - Scan of formats Bruce+Tony tomorrow.
 - Then insert in doc and release to reviewers.

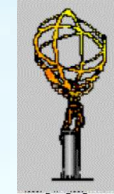


Example Data format





Word Identifiers



S-Link Category	Word Id	Data Content
CP Subsystem DAQ	00...	CMM hit sum DAQ readout
	01...	CPM trigger tower DAQ readout
	10...	CPM hits DAQ read out
	110...	CPM sub-status DAQ readout
	111...	CMM sub-status DAQ readout
CP Subsystem RoI	0...	CP RoI
JEP Subsystem DAQ	00...	CMM hit sum DAQ readout
	01...	JEM jet element DAQ readout
	10...	JEM hits DAQ readout
	110...	JEM sub-status DAQ readout
	111...	CMM sub-status DAQ readout
JEP Subsystem RoI	100...	JET RoI
	1010...	JET ET
	1100...	Energy RoI Ex value
	1101...	Energy RoI Ey value, sumET hits
	1110...	Energy RoI sumEt value, ETMiss hits