

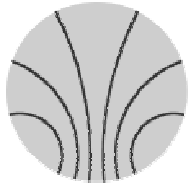
Karsten Penno

Diploma Student

KIP

University of Heidelberg

RAL Meeting November 7-10, 2001



Schedule of Tasks

- Development of data-simulating software for multiple-head graphics cards (2001)
- Testing of PPrASICs (beginning of 2002)
- Assembly of PPMs
- Set up test environment for PPMs
- PPM Slice-Test

Data-Simulating Software

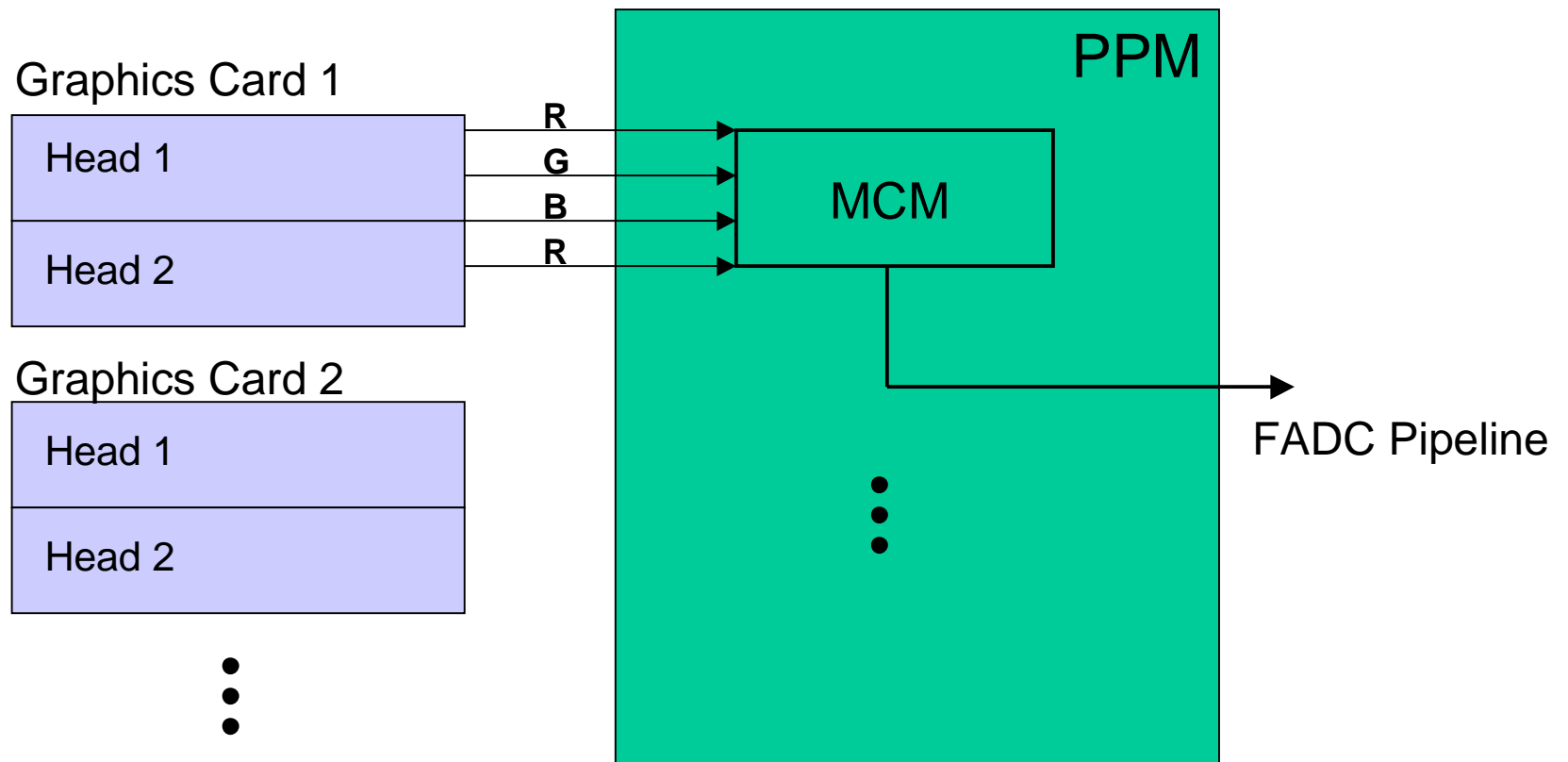
- Development of software on PC with dual-head graphics card (2 x RGB = 6 channels)
- Synchronisation of two cards?
- Use Pulse Library (talk of H. Stenzel) to simulate data
- Noise treatment?

Testing of PPrASICs

Using needle card as interface
between wafer and MCM
(further details in Werner's talk)

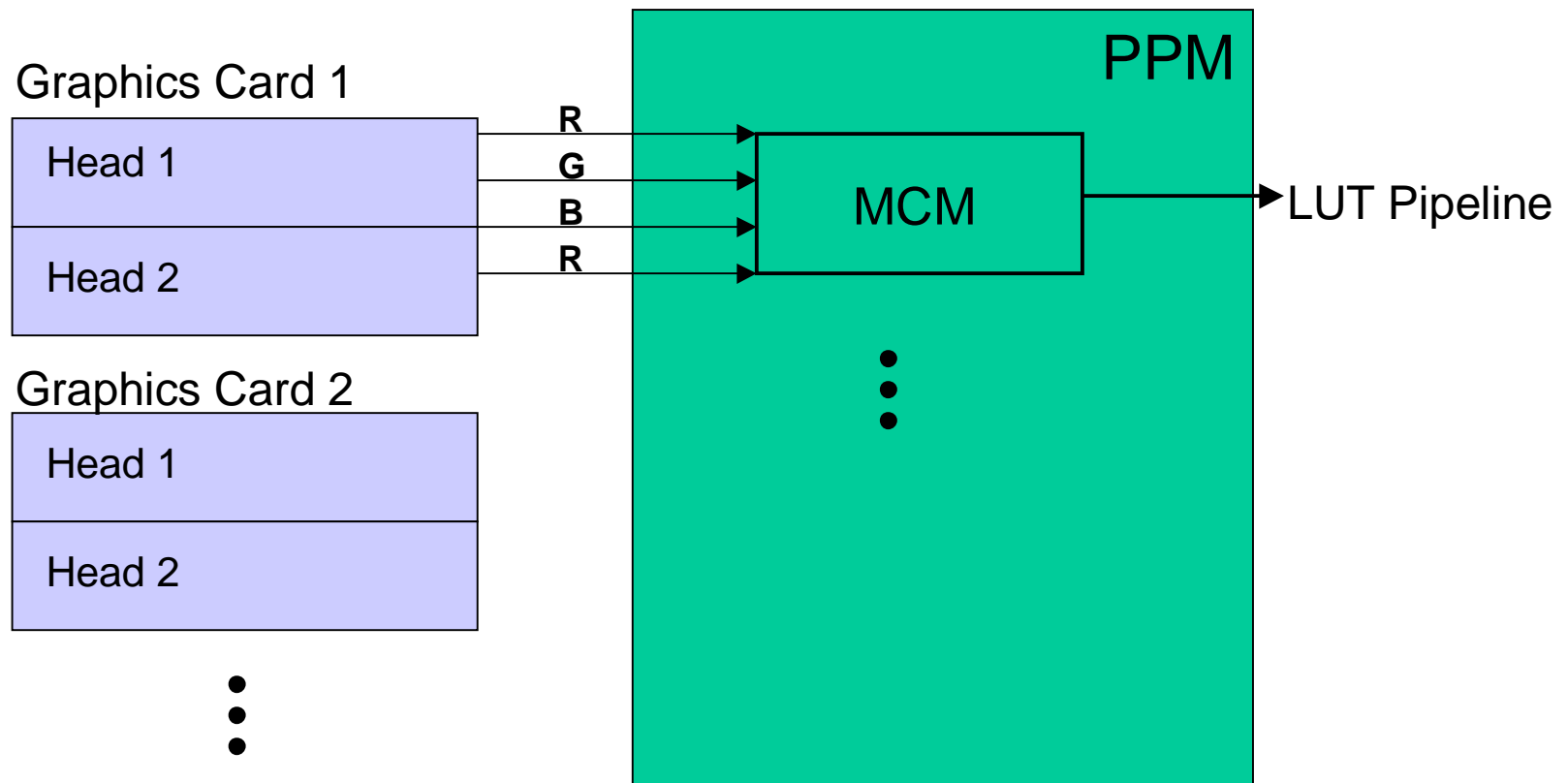
Test Environment for PPMs

Analog Testing



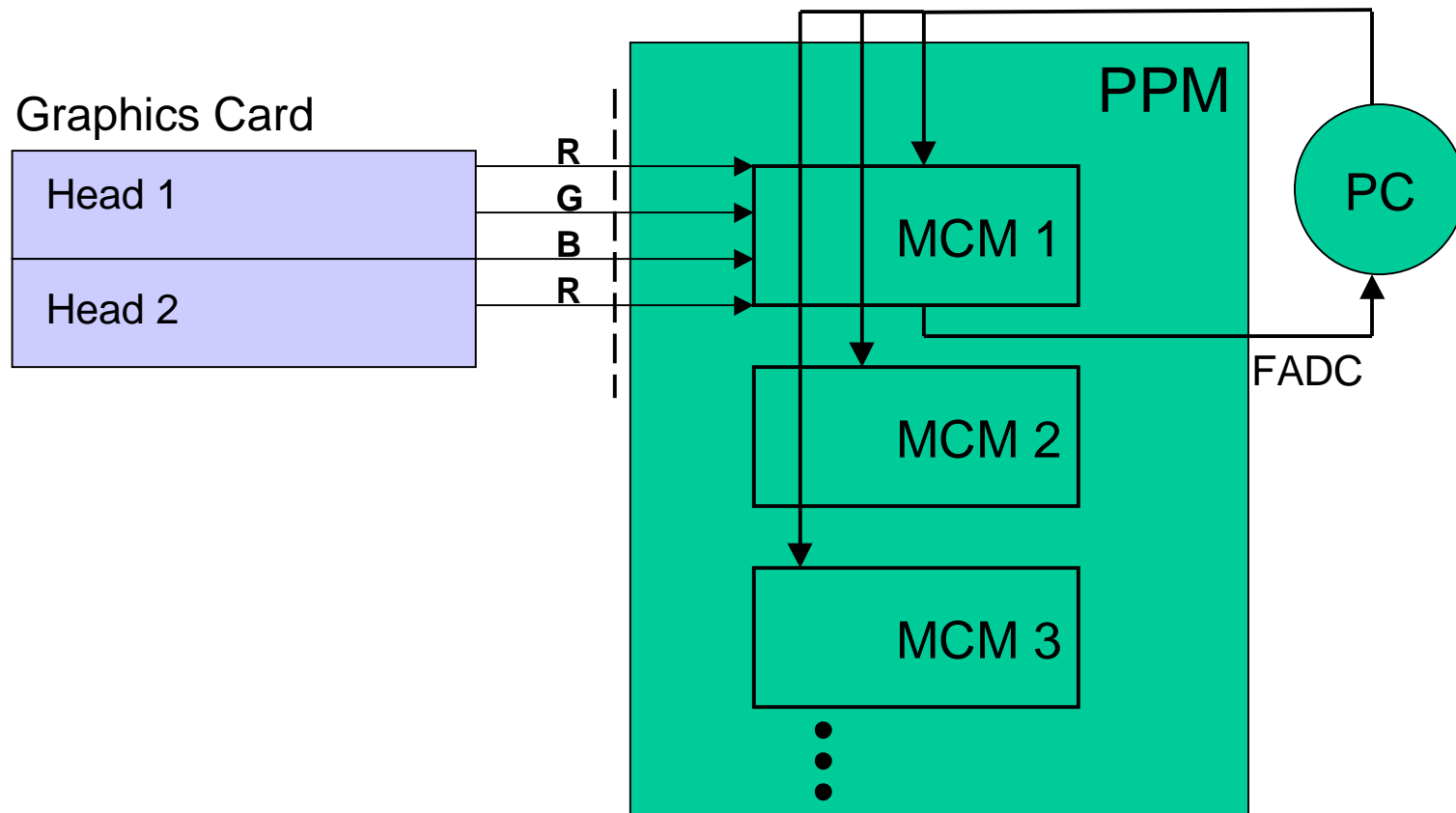
Test Environment for PPMs

ASIC Test



Test Environment for complete PPM

Playback Test



PPM Slice-Test

- Four PreProcessorModules
- Pipeline Bus data access
- VME Bus data access