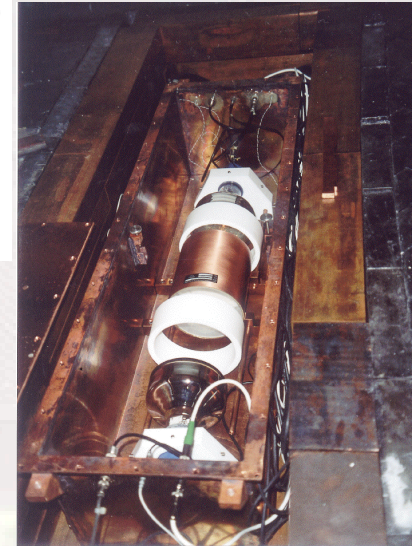
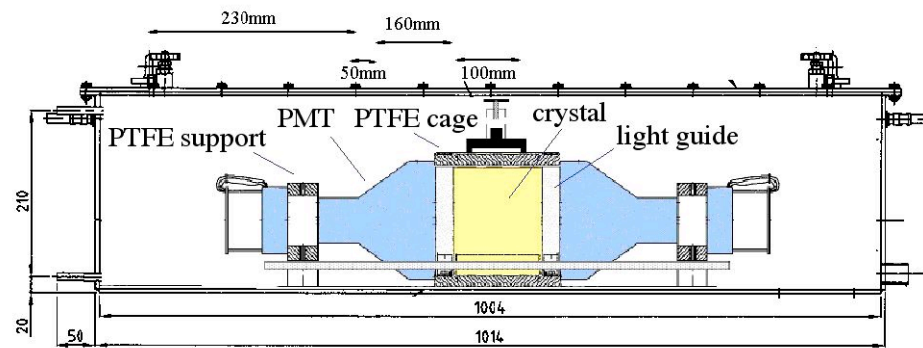


Boulby Programme  
Boulby Facility  
NaIAD Status  
ZEPLIN I Status  
ZEPLIN III Status  
ZEPLIN MAX Future

# NaIAD Array



- NaIAD: 8 NaI(Tl) crystals totalling 65kg
  - **6 unencapsulated, 2 encapsulated**
  - **Light yield 5 - 9 p.e./keV**
  - **Temperature stabilised to 0.1°C**
  - **Threshold 1-1.5 keV**
  - **DAQ based on Acquiris C-PCI 100MHz digitisation (replaced Lecroy DSO)**
- Unencapsulated crystals
  - **Removal of fast anomalous events (radon induced low energy alphas)**
  - **Operated in dry nitrogen, 1cm PTFE cage, quartz light guides**